

tel: 416-291-7371 1-800-565-8401  
fax: 416-291-8049 1-888-811-2264

web: www.vibro-acoustics.com  
eml: info@vibro-acoustics.com

NH Neoprene Hangers

NH

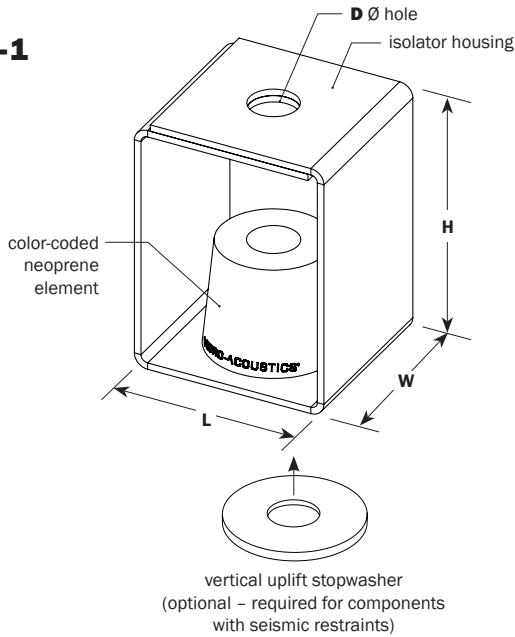
File No.: DS-NH-012

Date: 6 Mar 2014

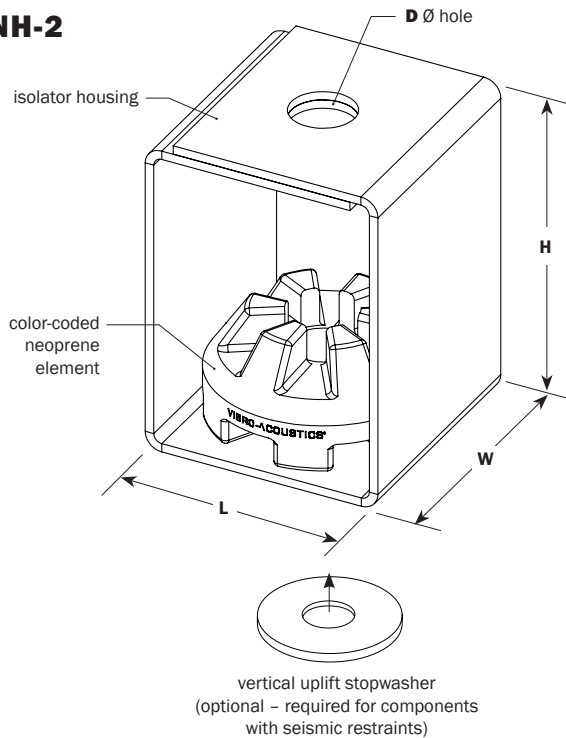
Supersedes: DS-NH-011

Date: 28 Feb 2014

NH-1



NH-2



PERFORMANCE

Model	Element Color	Max Load		Deflection		Weight	
		lb	kN	in	mm	lb	kg
NH-1-30	Orange	30	0.13	0.35	9	0.5	0.2
NH-1-60	Blue	60	0.27	0.35	9	0.5	0.2
NH-1-100	Green	100	0.44	0.35	9	0.5	0.2
NH-1-150	Red	150	0.67	0.35	9	0.6	0.3
NH-1-200	Black	200	0.89	0.35	9	0.6	0.3
NH-2-300	Green	300	1.33	0.40	10	1.7	0.8
NH-2-400	Red	400	1.78	0.40	10	1.7	0.8
NH-2-500	Black	500	2.22	0.40	10	1.7	0.8
NH-2-700	Blue	700	3.11	0.40	10	1.7	0.8
NH-2-1000	Yellow	1000	4.45	0.40	10	1.7	0.8

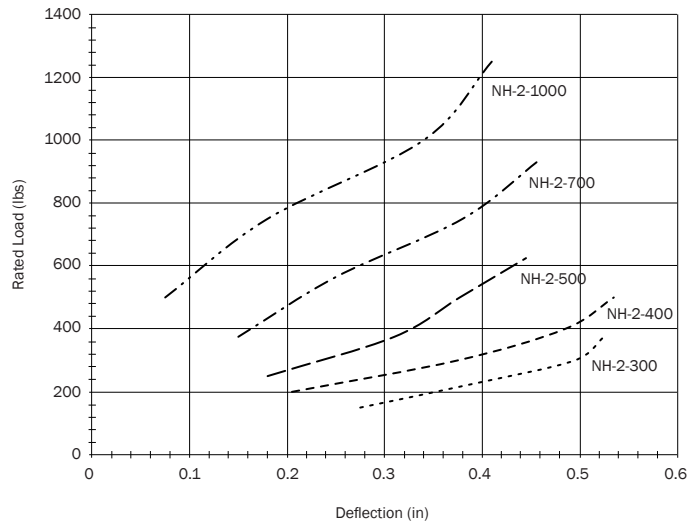
† weights are approximate

DIMENSIONS

Type	L	W	H	D Ø	Max Rod Size
	in mm	in mm	in mm	in mm	in mm
NH-1	2 1/4 57	2 51	3 76	9/16 14	1/2 12
NH-2	3 76	3 76	4 1/8 105	13/16 20	3/4 19

NOTES

- Double-deflection neoprene hanger type, with neoprene grommet between hanger rod and housing.
- Neoprene element includes metal washer for load distribution and fail safe.
- Vertical uplift stopwasher must be added on rubber hangers for seismically restrained equipment, duct or piping.
- Galvanized or painted steel-finish housing.



Project:			plan view of hanger locations				1:	6:
Customer:							2:	7:
Consultant:							3:	8:
Dwg No.:	Rev:	Drawn by:					4:	9:
V-A Project Manager:							5:	10:
TAG:							EQUIPMENT:	
COMMENTS:						DATE:		