

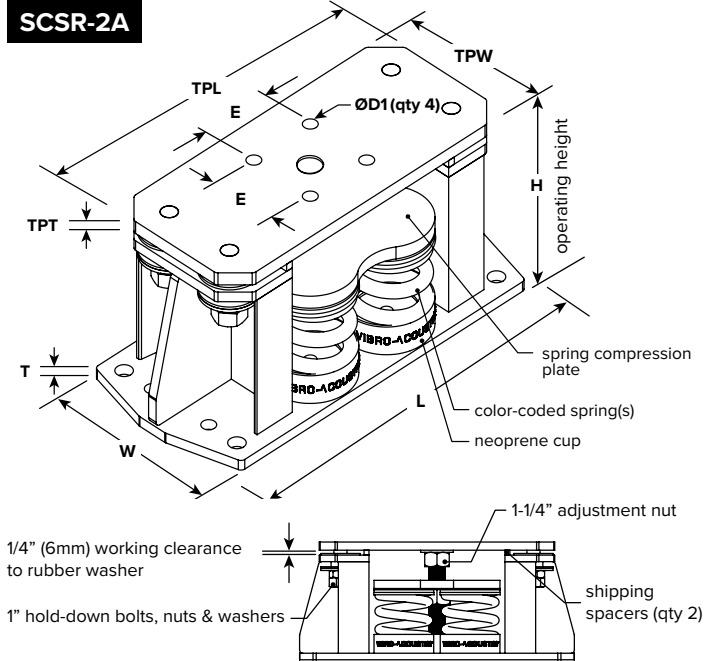
T 416-291-7371 1-800-565-8401 E info@vibro-acoustics.com  
F 416-291-8049 1-888-811-2264 vibro-acoustics.com

**2" (50 mm) Deflection Seismic  
Restrained Spring Isolators**

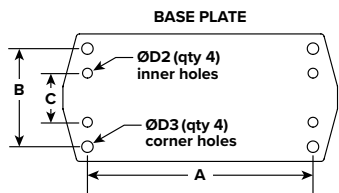
**SCSR-2A**  
9200-18000

File No.: DS-SCSR-Q-2A  
Supersedes: New

Date: Feb 5, 2019  
Date: New



DIMENSIONS				
L	W	H	E	T
in mm	in mm	in mm	in mm	in mm
22 3/4 578	11 279	9 1/2 241	3 3/4 95	1/2 13
TPL	TPW	TPT	ØD1	ØD1 - UNC tapped
in mm	in mm	in mm	in mm	in mm
19 1/4 489	8 203	5/8 16	3/4 19	5/8 16



AxB dimensions typically used for connecting to concrete.

AxC dimensions typically used for connecting to steel structure.

DIMENSIONS				
A	B	C	ØD2	ØD3
in mm	in mm	in mm	in mm	in mm
18 1/2 470	9 229	3 3/4 95	3/4 19	7/8 22

OPTION		TAPPED HOLES IN TOP PLATE		
Project:		Plan view of mount locations: 		
Customer:				
Consultant:				
Dwg No.:	Rev:			Drawn by:
V-A Project Manager:				
TAG:		EQUIPMENT:		
COMMENTS:		DATE:		

PERFORMANCE							
Model	Spring Color outer-inner	Rated Load		Deflection at rated load		Isolator Weight †	
		lb	kN	in	mm	lb	kg
SCSR-2A-9200	(4)Black-Green	9200	40.92	2.0	51	148	67
SCSR-2A-10000	(4)Black-Yellow	10000	44.48	2.0	51	148	67
SCSR-2A-11200	(4)Black-Black	11200	49.82	2.0	51	148	67
SCSR-2A-12000	(4)Black-Ivory	12000	53.38	2.0	51	148	67
SCSR-2A-13200	(4)Blue	13200	58.72	2.0	51	148	67
SCSR-2A-14000	(4)Blue-Orange	14000	62.28	2.0	51	153	70
SCSR-2A-15200	(4)Blue-Yellow	15200	67.61	2.0	51	153	70
SCSR-2A-16400	(4)Blue-Black	16400	72.95	2.0	51	153	70
SCSR-2A-17200	(4)Blue-Ivory	17200	76.51	2.0	51	156	71
SCSR-2A-18000	(4)Blue-Red	18000	80.07	2.0	51	156	71

† weights are approximate

**NOTES**

- > Laterally stable and all-direction restrained spring type isolator with steel housing and heavy top plate for equipment support
- > Welded high-strength steel housing with vertically restraining limit stops
- > Top plate and restraining bolts designed to be out of contact with housing during normal operation
- > Reinforced neoprene elements used in all-directional snubbers to prevent short-circuiting vibration isolation
- > Springs have minimum 50% additional travel to solid and kx/ky ratio of 0.8
- > Housing and compression plate are hot-dipped galvanized for corrosion protection
- > Isolator lateral capacities exceed 1.0 G. Review calculations or contact Vibro-Acoustics for further information
- > Springs are powder-coated enamel; hardware is zinc plated
- > Neoprene spring support cups provide high-frequency vibration isolation
- > As an option, top plates may be supplied with UNC tapped holes for securing to supported equipment.
- > If less than 80% of the top plate is covered by the supported equipment, an additional plate of the same thickness must be added. See installation instructions for further information. Contact Vibro-Acoustics to order separate matching top plates as needed.