

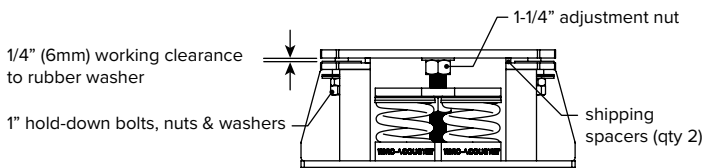
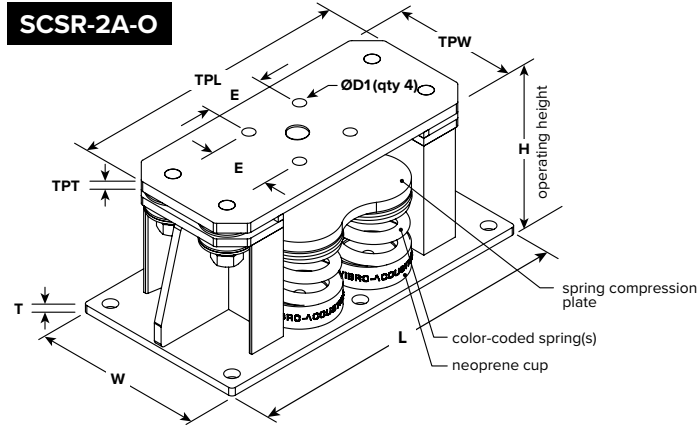
T 416-291-7371 1-800-565-8401 E info@vibro-acoustics.com
F 416-291-8049 1-888-811-2264 vibro-acoustics.com

**2" (50 mm) Deflection Seismic
Restrained Spring Isolators
(with oversized plate)**

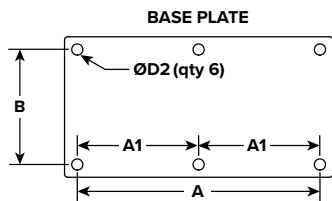
SCSR-2A-O
9200-18000

File No.: DS-SCSR-Q-2A-O
Supersedes: New

Date: Feb 5, 2019
Date: New



DIMENSIONS				
L	W	H	E	T
in mm	in mm	in mm	in mm	in mm
22 3/4 578	12 1/4 311	9 1/2 241	3 3/4 95	1/2 13
TPL	TPW	TPT	ØD1	ØD1 - UNC tapped
in mm	in mm	in mm	in mm	in mm
19 1/4 489	8 203	5/8 16	3/4 19	5/8 16



AxB dimensions typically used for connecting to concrete.

DIMENSIONS			
A	B	A1	ØD2
in mm	in mm	in mm	in mm
20 3/4 527	10 1/4 260	10 3/8 264	7/8 22

PERFORMANCE					
Model	Spring Color outer-inner	Rated Load		Deflection at rated load	Isolator Weight †
		lb	kN		
SCSR-2A-O-9200	(4)Black-Green	9200	40.92	2.0 51	157 71
SCSR-2A-O-10000	(4)Black-Yellow	10000	44.48	2.0 51	157 71
SCSR-2A-O-11200	(4)Black-Black	11200	49.82	2.0 51	157 71
SCSR-2A-O-12000	(4)Black-Ivory	12000	53.38	2.0 51	157 71
SCSR-2A-O-13200	(4)Blue	13200	58.72	2.0 51	157 71
SCSR-2A-O-14000	(4)Blue-Orange	14000	62.28	2.0 51	160 73
SCSR-2A-O-15200	(4)Blue-Yellow	15200	67.61	2.0 51	160 73
SCSR-2A-O-16400	(4)Blue-Black	16400	72.95	2.0 51	160 73
SCSR-2A-O-17200	(4)Blue-Ivory	17200	76.51	2.0 51	163 74
SCSR-2A-O-18000	(4)Blue-Red	18000	80.07	2.0 51	163 74

† weights are approximate

NOTES

- > Laterally stable and all-direction restrained spring type isolator with steel housing and heavy top plate for equipment support
- > Welded high-strength steel housing with vertically restraining limit stops
- > Top plate and restraining bolts designed to be out of contact with housing during normal operation
- > Reinforced neoprene elements used in all-directional snubbers to prevent short-circuiting vibration isolation
- > Springs have minimum 50% additional travel to solid and kx/ky ratio of 0.8
- > Housing and compression plate are hot-dipped galvanized for corrosion protection
- > Isolator lateral capacities exceed 1.0 G. Review calculations or contact Vibro-Acoustics for further information
- > Springs are powder-coated enamel; hardware is zinc plated
- > Neoprene spring support cups provide high-frequency vibration isolation
- > As an option, top plates may be supplied with UNC tapped holes for securing to supported equipment.
- > If less than 80% of the top plate is covered by the supported equipment, an additional plate of the same thickness must be added. See installation instructions for further information. Contact Vibro-Acoustics to order separate matching top plates as needed.

OPTION		TAPPED HOLES IN TOP PLATE				
Project:		Plan view of mount locations: 		1.	6.	
Customer:				2.	7.	
Consultant:				3.	8.	
Dwg No.:	Rev:			Drawn by:	4.	9.
V-A Project Manager:				5.	10.	
TAG:			EQUIPMENT:		QTY of sets required:	
COMMENTS:			DATE:			