

tel: 416-291-7371 1-800-565-8401  
fax: 416-291-8049 1-888-811-2264

web: www.vibro-acoustics.com  
eml: info@vibro-acoustics.com

**1" (25 mm) Deflection SCSR  
Seismic Restrained Spring  
Isolators (for Concrete)**

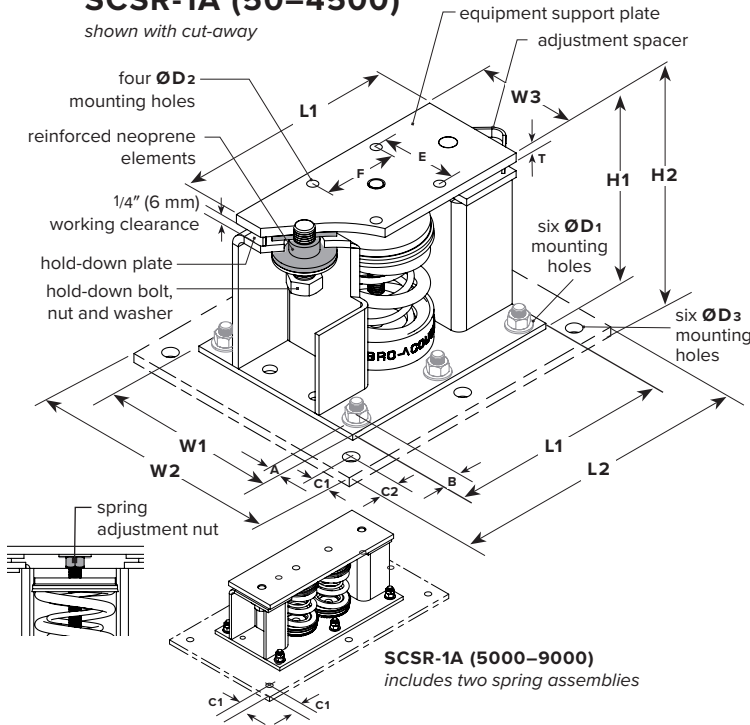
**SCSR-1A  
Concrete Structure**

File No.: DS-SCSR1-C-015  
Supersedes: DS-SCSR1-C-014

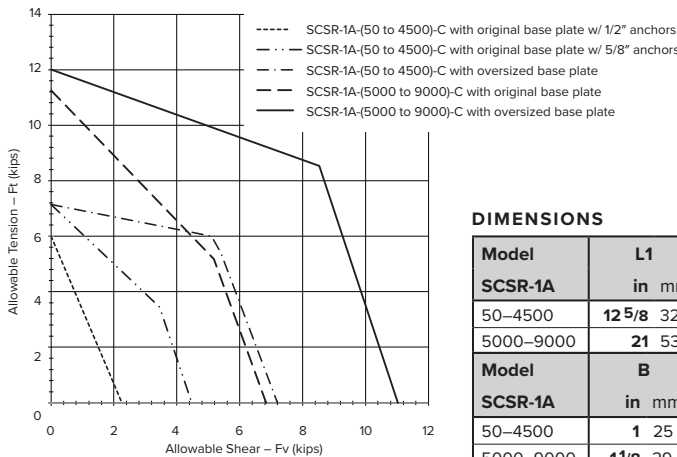
Date: 9 May 2019  
Date: 19 June 2018

**SCSR-1A (50-4500)**

shown with cut-away



**SCSR-1A (5000-9000)**  
includes two spring assemblies



**For attachment to concrete structure:**

- SCSR-1A-(50 to 4500)-C loads are based on using (6) 1/2" hilti kb tz @ 2" emb. 12" edge distance, 4" thick 3000 psi cracked concrete
- SCSR-1A-(50 to 4500)-C loads are based on using (6) 5/8" hilti kb tz @ 4" emb. 12" edge distance, 6" thick 3000 psi cracked concrete
- SCSR-1A-(50 to 4500)-C loads with oversized base plate are based on using (6) 3/4" hilti kb tz @ 4-3/4" emb. 10" edge distance, 8" thick 3000 psi cracked concrete
- SCSR-1A-(5000 to 9000)-C loads are based on using (6) 5/8" hilti kb tz @ 4" emb. 12" edge distance, 8" thick 4000 psi cracked concrete
- SCSR-1A-(5000 to 9000)-C loads with oversized base plate are based on using (6) 3/4" hilti kb tz @ 4-3/4" emb. 14" edge distance, 8" thick 4000 psi cracked concrete
- SCSR ratings for concrete are determined in accordance with ACI 318-11

**NOTES**

- Laterally and vertically restrained spring type isolators with housings and heavy top plates for equipment support
- Welded steel construction housings with vertically restraining limit stops
- Top plate and restraining bolts are designed to be out of contact with housing during normal operation
- Reinforced neoprene elements (snubbers) are incorporated to minimize short-circuiting of restraining bolts
- Minimum 50% additional travel to solid

- Minimum  $k_x/k_y$  ratio of 0.8
- Housing is powder-coated; hot-dipped galvanizing is optional
- All components are painted, plated, or coated for outdoor applications
- If less than 80% of the top plate is covered by the supported equipment, use an additional plate (same thickness as the isolator's equipment support plate) on top of the isolator. See installation instructions.
- All springs are powder-coated
- Springs supported with neoprene cups for noise isolation

**PERFORMANCE**

Model	Spring Color outer-inner	Rated Load		Deflection at rated load		Isolator Weight <sup>1</sup>	
		lb	kN	in	mm	lb	kg
SCSR-1A-50*	Black	50	0.22	1.0	25	43.4	19.7
SCSR-1A-150*	Black-White	150	0.67	1.0	25	44.1	20.0
SCSR-1A-200*	Grey	200	0.89	1.0	25	44.1	20.0
SCSR-1A-300*	Grey-White	300	1.33	1.0	25	44.7	20.3
SCSR-1A-400*	Grey-Grey	400	1.78	1.0	25	44.6	20.2
SCSR-1A-500*	Orange	500	2.22	1.0	25	45.3	20.5
SCSR-1A-600*	Orange-White	600	2.67	1.0	25	45.9	20.8
SCSR-1A-700*	Orange-Grey	700	3.11	1.0	25	45.9	20.8
SCSR-1A-800*	Orange-Black	800	3.56	1.0	25	45.1	20.5
SCSR-1A-900*	Orange-Green	900	4.00	1.0	25	45.8	20.8
SCSR-1A-1000*	White	1000	4.45	1.0	25	46.4	21.0
SCSR-1A-1100*	White-White	1100	4.89	1.0	25	46.4	21.0
SCSR-1A-1200*	White-Grey	1200	5.34	1.0	25	46.6	21.1
SCSR-1A-1300*	White-Black	1300	5.78	1.0	25	47.2	21.4
SCSR-1A-1400*	White-Green	1400	6.23	1.0	25	47.2	21.4
SCSR-1A-1500*	Red	1500	6.67	1.0	25	46.9	21.3
SCSR-1A-1600*	Red-White	1600	7.12	1.0	25	46.9	21.3
SCSR-1A-1800*	Red-Black	1800	8.01	1.0	25	47.3	21.5
SCSR-1A-2000*	Red-Yellow	2000	8.90	1.0	25	45.1	20.5
SCSR-1A-2500*	Red-Ivory	2500	11.12	1.0	25	47.2	21.4
SCSR-1A-3000*	Red-White	3000	13.34	1.0	25	47.6	21.6
SCSR-1A-3500*	Black-Red	3500	15.57	1.0	25	47.8	21.7
SCSR-1A-3800*	Black-Blue	3800	16.90	1.0	25	47.8	21.7
SCSR-1A-4000*	Black-Ivory	4000	17.80	1.0	25	48.4	22.0
SCSR-1A-4500*	Black-White	4500	20.02	1.0	25	49.0	22.2
SCSR-1A-5000	(2) Red-Ivory	5000	22.24	1.0	25	87.0	39.5
SCSR-1A-6000	(2) Red-White	6000	26.69	1.0	25	88.0	39.9
SCSR-1A-6600	(2) Black-Black	6600	29.36	1.0	25	88.0	39.9
SCSR-1A-7000	(2) Black-Yellow	7000	31.14	1.0	25	89.0	40.3
SCSR-1A-7600	(2) Black-Blue	7600	33.81	1.0	25	89.0	40.3
SCSR-1A-8000	(2) Black-Ivory	8000	35.59	1.0	25	90.0	40.8
SCSR-1A-9000	(2) Black-White	9000	40.03	1.0	25	92.0	41.7

\*Sizes up to and including 4500 offered in hot dip galvanized only.

<sup>1</sup> weights approximate (oversized base plate for 50-4500 is 32 lb., 5000-9000 is 73 lb)

**DIMENSIONS**

Model	L1	L2	A	W1	W2	W3	H1	H2	T
<b>SCSR-1A</b>	in mm	in mm	in mm	in mm	in mm	in mm	in mm	in mm	in mm
50-4500	12 5/8 321	17 432	3/4 19	10 254	14 356	5 5/8 143	9 229	9 1/2 241	1/2 13
5000-9000	21 533	30 1/2 775	1 1/8 29	11 279	17 432	7 178	9 229	9 1/2 241	1/2 13
Model	B	C1	C2	E	F	ØD1	ØD2	ØD3	
<b>SCSR-1A</b>	in mm	in mm	in mm	in mm	in mm	in mm	in mm	in mm	
50-4500	1 25	1 1/8 29	1 1/4 32	4 1/8 105	4 1/8 105	11/16 17	9/16 14	13/16 21	
5000-9000	1 1/8 29	1 3/4 44	1 3/4 44	4 1/2 114	10 1/2 267	11/16 17	11/16 17	7/8 22	

OPTIONS		<input type="checkbox"/> HOT-DIP GALVANIZED	<input type="checkbox"/> OVERSIZED BASE PLATE										
<b>Project:</b>	plan view of mount locations												
<b>Customer:</b>													
<b>Consultant:</b>	<table border="1"> <tr><td>1:</td><td>6:</td></tr> <tr><td>2:</td><td>7:</td></tr> <tr><td>3:</td><td>8:</td></tr> <tr><td>4:</td><td>9:</td></tr> <tr><td>5:</td><td>10:</td></tr> </table>			1:	6:	2:	7:	3:	8:	4:	9:	5:	10:
1:	6:												
2:	7:												
3:	8:												
4:	9:												
5:	10:												
<b>Dwg No.:</b>	<b>Rev.:</b>	<b>Drawn by:</b>											
<b>V-A Project Manager:</b>													
<b>TAG:</b>	<b>EQUIPMENT:</b>												
<b>COMMENTS:</b>	<b>DATE:</b>												
<b>QTY of sets required:</b>													