

**1" (25 mm) Deflection SCSR  
Seismic Restrained Spring  
Isolators (for Steel)**

**SCSR-1A**  
Steel Structure

File No.: DS-SCSR1-S-016

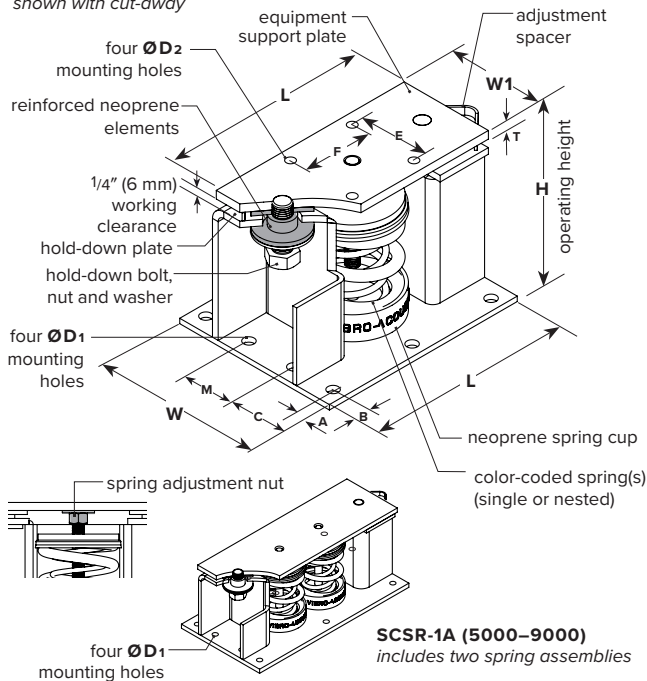
Date: 9 May 2019

Supersedes: DS-SCSR1-S-015

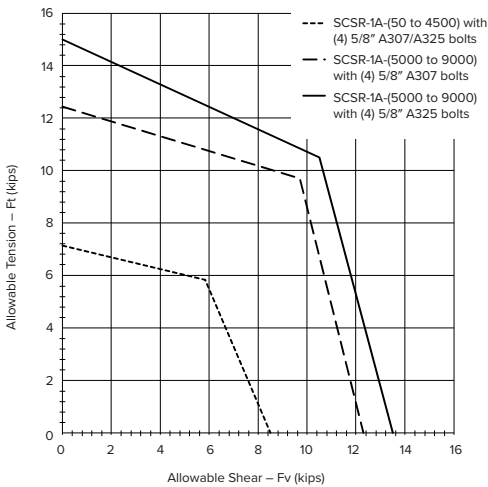
Date: 19 June 2018

**SCSR-1A (50-4500)**

shown with cut-away



**SCSR-1A (5000-9000)**  
includes two spring assemblies



**PERFORMANCE**

Model	Spring Color outer-inner	Rated Load		Deflection at rated load		Isolator Weight †	
		lb	kN	in	mm	lb	kg
SCSR-1A-50*	Black	50	0.22	1.0	25	43.4	19.7
SCSR-1A-150*	Black-White	150	0.67	1.0	25	44.1	20.0
SCSR-1A-200*	Grey	200	0.89	1.0	25	44.1	20.0
SCSR-1A-300*	Grey-White	300	1.33	1.0	25	44.7	20.3
SCSR-1A-400*	Grey-Grey	400	1.78	1.0	25	44.6	20.2
SCSR-1A-500*	Orange	500	2.22	1.0	25	45.3	20.5
SCSR-1A-600*	Orange-White	600	2.67	1.0	25	45.9	20.8
SCSR-1A-700*	Orange-Grey	700	3.11	1.0	25	45.9	20.8
SCSR-1A-800*	Orange-Black	800	3.56	1.0	25	45.1	20.5
SCSR-1A-900*	Orange-Green	900	4.00	1.0	25	45.8	20.8
SCSR-1A-1000*	White	1000	4.45	1.0	25	46.4	21.0
SCSR-1A-1100*	White-White	1100	4.89	1.0	25	46.4	21.0
SCSR-1A-1200*	White-Grey	1200	5.34	1.0	25	46.6	21.1
SCSR-1A-1300*	White-Black	1300	5.78	1.0	25	47.2	21.4
SCSR-1A-1400*	White-Green	1400	6.23	1.0	25	47.2	21.4
SCSR-1A-1500*	Red	1500	6.67	1.0	25	46.9	21.3
SCSR-1A-1600*	Red-White	1600	7.12	1.0	25	46.9	21.3
SCSR-1A-1800*	Red-Black	1800	8.01	1.0	25	47.3	21.5
SCSR-1A-2000*	Red-Yellow	2000	8.90	1.0	25	45.1	20.5
SCSR-1A-2500*	Red-Ivory	2500	11.12	1.0	25	47.2	21.4
SCSR-1A-3000*	Red-White	3000	13.34	1.0	25	47.6	21.6
SCSR-1A-3500*	Black-Red	3500	15.57	1.0	25	47.8	21.7
SCSR-1A-3800*	Black-Blue	3800	16.90	1.0	25	47.8	21.7
SCSR-1A-4000*	Black-Ivory	4000	17.80	1.0	25	48.4	22.0
SCSR-1A-4500*	Black-White	4500	20.02	1.0	25	49.0	22.2
SCSR-1A-5000	(2) Red-Ivory	5000	22.24	1.0	25	87.0	39.5
SCSR-1A-6000	(2) Red-White	6000	26.69	1.0	25	88.0	39.9
SCSR-1A-6600	(2) Black-Black	6600	29.36	1.0	25	88.0	39.9
SCSR-1A-7000	(2) Black-Yellow	7000	31.14	1.0	25	89.0	40.3
SCSR-1A-7600	(2) Black-Blue	7600	33.81	1.0	25	89.0	40.3
SCSR-1A-8000	(2) Black-Ivory	8000	35.59	1.0	25	90.0	40.8
SCSR-1A-9000	(2) Black-White	9000	40.03	1.0	25	92.0	41.7

\*Sizes up to and including 4500 are offered in hot-dip galvanized only.  
† weights are approximate

**DIMENSIONS**

Model	L	W	H	A	B	C	M
SCSR-1A	in mm	in mm	in mm	in mm	in mm	in mm	in mm
50-4500	12 5/8 321	10 254	9 229	3/4 19	1 25	3 1/2 89	3 76
5000-9000	21 533	11 279	9 229	1 1/8 29	1 1/8 29	3 5/8 92	3 3/4 95

Model	W1	E	F	ØD1	ØD2	T
SCSR-1A	in mm	in mm	in mm	in mm	in mm	in mm
50-4500	5 5/8 143	4 1/8 105	4 1/8 105	1 1/16 17	9/16 14	1/2 13
5000-9000	7 178	4 1/2 114	10 1/2 267	1 1/16 17	1 1/16 17	1/2 13

**NOTES**

- Laterally and vertically restrained spring type isolators with housings and heavy top plates for equipment support
- Welded steel construction housings with vertically restraining limit stops
- Top plate and restraining bolts are designed to be out of contact with housing during normal operation
- Reinforced neoprene elements (snubbers) are incorporated to minimize short-circuiting of restraining bolts
- Minimum 50% additional travel to solid

- Minimum  $k_x/k_y$  ratio of 0.8
- Housing is powder-coated; hot-dipped galvanizing is optional
- All components are painted, plated, or coated for outdoor applications
- If less than 80% of the top plate is covered by the supported equipment, use an additional plate (same thickness as the isolator's equipment support plate) on top of the isolator. See installation instructions.
- All springs are powder-coated
- Springs supported with neoprene cups for noise isolation

OPTION		HOT-DIP GALVANIZED			
Project:		plan view of mount locations 		1:	6:
Customer:				2:	7:
Consultant:				3:	8:
Dwg No.:	Rev:			4:	9:
V-A Project Manager:				5:	10:
TAG:		EQUIPMENT:		QTY of sets required:	
COMMENTS:				DATE:	