

tel: 416-291-7371 1-800-565-8401
fax: 416-291-8049 1-888-811-2264

web: www.vibro-acoustics.com
eml: info@vibro-acoustics.com

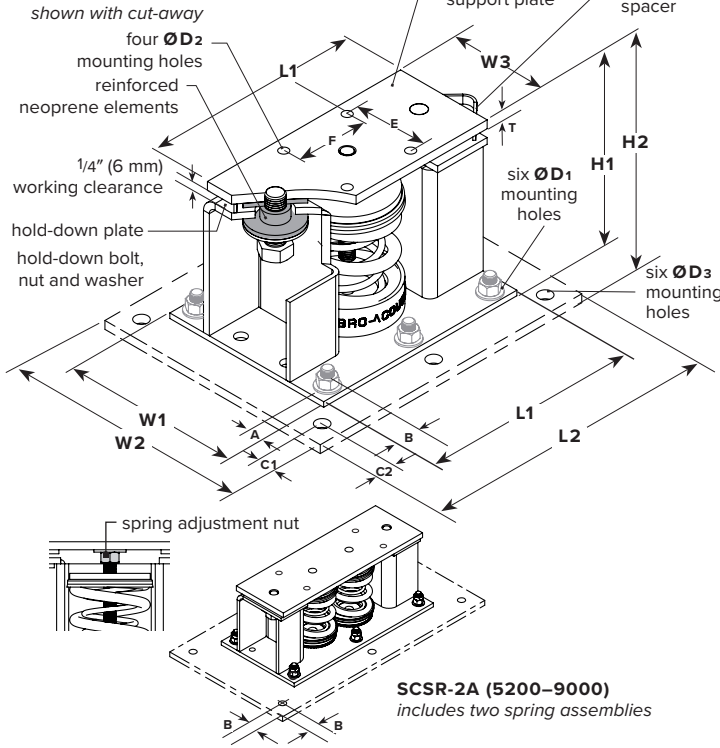
File No.: DS-SCSR2-C-020

Date: 9 May 2019

Supersedes: DS-SCSR2-C-019

Date: 19 June 2018

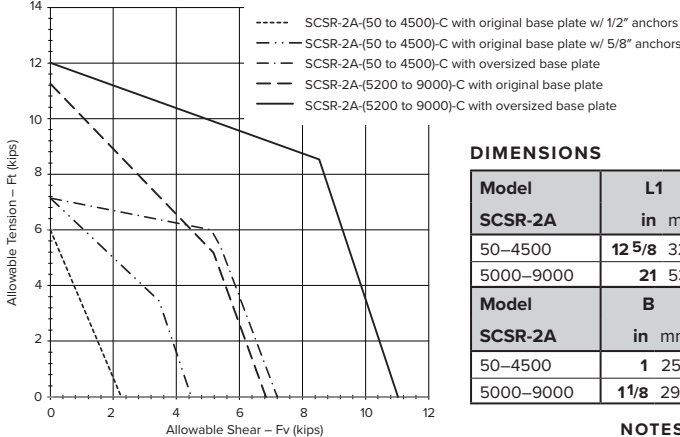
SCSR-2A (50-4500)



PERFORMANCE

Model	Spring Color outer-inner	Rated Load lb kN	Deflection at rated load in mm	Isolator Weight †	
				lb	kg
SCSR-2A-50*	Grey	50 0.22	2.0 51	43.4	19.7
SCSR-2A-100*	Blue	100 0.44	2.0 51	43.4	19.7
SCSR-2A-150*	Grey-White	150 0.67	2.0 51	44.1	20.0
SCSR-2A-200*	Blue-White	200 0.89	2.0 51	44.1	20.0
SCSR-2A-300*	Blue-Orange	300 1.33	2.0 51	44.7	20.3
SCSR-2A-400*	Red	400 1.78	2.0 51	44.6	20.2
SCSR-2A-500*	Red-White	500 2.22	2.0 51	45.3	20.5
SCSR-2A-600*	Red-Orange	600 2.67	2.0 51	45.9	20.8
SCSR-2A-700*	Red-Green	700 3.11	2.0 51	45.9	20.8
SCSR-2A-800*	Green	800 3.56	2.0 51	45.1	20.5
SCSR-2A-900*	Green-White	900 4.00	2.0 51	45.8	20.8
SCSR-2A-1000*	Green-Orange	1000 4.45	2.0 51	46.4	21.0
SCSR-2A-1100*	Green-Green	1100 4.89	2.0 51	46.4	21.0
SCSR-2A-1200*	Green-Grey	1200 5.34	2.0 51	46.6	21.1
SCSR-2A-1400*	Green-Blue	1400 6.23	2.0 51	47.2	21.4
SCSR-2A-1600*	Green-Black	1600 7.12	2.0 51	46.9	21.3
SCSR-2A-1800*	Green-Ivory	1800 8.01	2.0 51	47.3	21.5
SCSR-2A-2000*	Black	2000 8.90	2.0 51	45.1	20.5
SCSR-2A-2200*	Black-Orange	2200 9.97	2.0 51	46.4	21.0
SCSR-2A-2400*	Black-Grey	2400 10.68	2.0 51	46.6	21.1
SCSR-2A-2600*	Black-Blue	2600 11.57	2.0 51	47.2	21.4
SCSR-2A-2800*	Black-Black	2800 12.46	2.0 51	46.9	21.3
SCSR-2A-3200*	Black-Red	3200 14.23	2.0 51	47.6	21.6
SCSR-2A-3700*	Blue-Grey	3700 16.45	2.0 51	47.8	21.7
SCSR-2A-4100*	Blue-Black	4100 18.24	2.0 51	48.4	22.0
SCSR-2A-4500*	Blue-Red	4500 20.02	2.0 51	49.0	22.2
SCSR-2A-5200	(2)Black-Blue	5200 23.13	2.0 51	94.0	42.6
SCSR-2A-6400	(2)Black-Red	6400 28.46	2.0 51	96.0	43.5
SCSR-2A-7400	(2)Blue-Grey	7400 32.92	2.0 51	98.0	44.5
SCSR-2A-8200	(2)Blue-Black	8200 36.48	2.0 51	100.0	45.4
SCSR-2A-9000	(2)Blue-Red	9000 40.03	2.0 51	104.0	47.2

*Sizes up to and including 4500 offered in hot dip galvanized only.
† weights approximate (oversized base plate for 50-4500 is 32 lb., 5000-9000 is 73 lb)



DIMENSIONS

Model	L1	L2	A	W1	W2	W3	H1	H2	T
SCSR-2A	in mm	in mm	in mm	in mm	in mm	in mm	in mm	in mm	in mm
50-4500	12 5/8 321	17 432	3/4 19	10 254	14 356	5 5/8 143	9 229	9 1/2 241	1/2 13
5000-9000	21 533	30 1/2 775	1 1/8 29	11 279	17 432	7 178	9 229	9 1/2 241	1/2 13

Model	B	C1	C2	E	F	ØD1	ØD2	ØD3
SCSR-2A	in mm	in mm	in mm	in mm	in mm	in mm	in mm	in mm
50-4500	1 25	1 1/8 29	1 1/4 32	4 1/8 105	4 1/8 105	1 1/16 17	9/16 14	13/16 21
5000-9000	1 1/8 29	1 3/4 44	1 3/4 44	4 1/2 114	10 1/2 267	1 1/16 17	1 1/16 17	7/8 22

NOTES

- Laterally and vertically restrained spring type isolators with housings and heavy top plates for equipment support
- Welded steel construction housings with vertically restraining limit stops
- Top plate and restraining bolts are designed to be out of contact with housing during normal operation
- Reinforced neoprene elements (snubbers) are incorporated to minimize short-circuiting of restraining bolts
- Minimum 50% additional travel to solid

- Minimum k_x/k_y ratio of 0.8
- Housing is powder-coated; hot-dipped galvanizing is optional
- All components are painted, plated, or coated for outdoor applications
- If less than 80% of the top plate is covered by the supported equipment, use an additional plate (same thickness as the isolator's equipment support plate) on top of the isolator. See installation instructions.
- All springs are powder-coated
- Springs supported with neoprene cups for noise isolation

For attachment to concrete structure:

- SCSR-2A-(50 to 4500)-C loads are based on using (6) 1/2" hilti kb tz @ 2" emb. 12" edge distance, 4" thick 3000 psi cracked concrete
- SCSR-2A-(50 to 4500)-C loads are based on using (6) 5/8" hilti kb tz @ 4" emb. 12" edge distance, 6" thick 3000 psi cracked concrete
- SCSR-2A-(50 to 4500)-C loads with oversized base plate are based on using (6) 3/4" hilti kb tz @ 4-3/4" emb. 10" edge distance, 8" thick 3000 psi cracked concrete
- SCSR-2A-(5200 to 9000)-C loads are based on using (6) 5/8" hilti kb tz @ 4" emb. 12" edge distance, 8" thick 4000 psi cracked concrete
- SCSR-2A-(5200 to 9000)-C loads with oversized base plate are based on using (6) 3/4" hilti kb tz @ 4-3/4" emb. 14" edge distance, 8" thick 4000 psi cracked concrete
- SCSR ratings for concrete are determined in accordance with ACI 318-11

OPTIONS		<input type="checkbox"/> HOT-DIP GALVANIZED	<input type="checkbox"/> OVERSIZED BASE PLATE	
Project:		plan view of mount locations		
Customer:				
Consultant:				
Dwg No.:	Rev:			Drawn by:
V-A Project Manager:				
TAG:		EQUIPMENT:		
COMMENTS:		DATE:		

1:	6:
2:	7:
3:	8:
4:	9:
5:	10:
QTY of sets required:	