

**2" (50 mm) Deflection SCSR
Seismic Restrained Spring
Isolators (for Steel)**

SCSR-2A

Steel Structure

File No.: DS-SCSR2-S-016

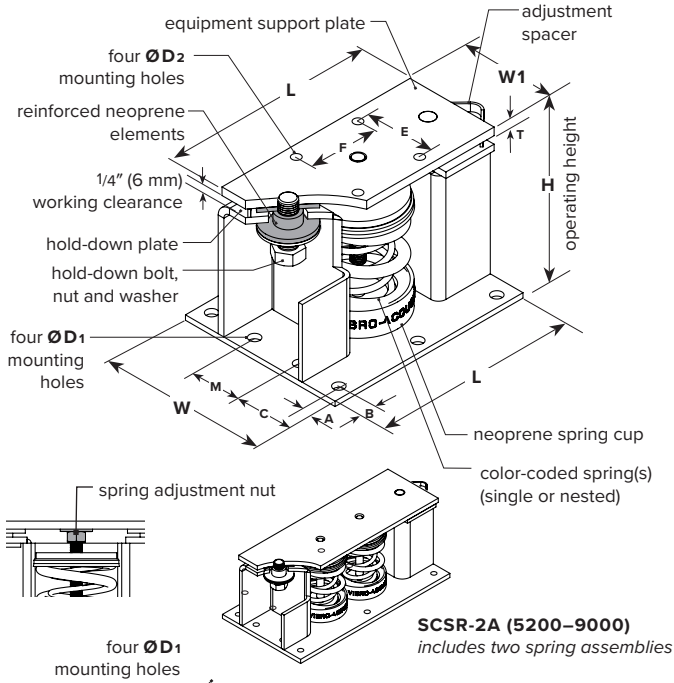
Date: 9 May 2019

Supersedes: DS-SCSR2-S-015

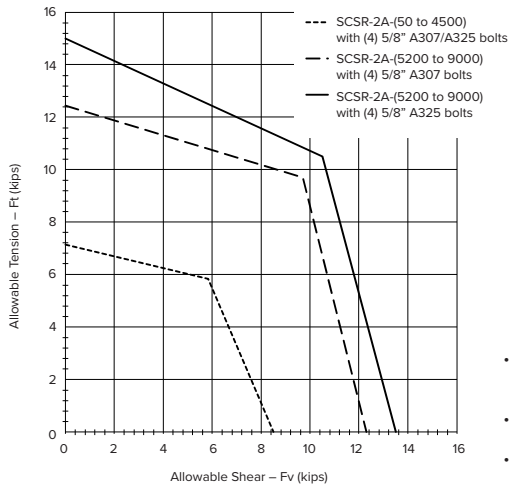
Date: 19 June 2018

SCSR-2A (50-4500)

shown with cut-away



SCSR-2A (5200-9000)
includes two spring assemblies



PERFORMANCE

Model	Spring Color outer-inner	Rated Load		Deflection at rated load		Isolator Weight †	
		lb	kN	in	mm	lb	kg
SCSR-2A-50*	Grey	50	0.22	2.0	51	43.4	19.7
SCSR-2A-100*	Blue	100	0.44	2.0	51	43.4	19.7
SCSR-2A-150*	Grey-White	150	0.67	2.0	51	44.1	20.0
SCSR-2A-200	Blue-White	200	0.89	2.0	51	44.1	20.0
SCSR-2A-300*	Blue-Orange	300	1.33	2.0	51	44.7	20.3
SCSR-2A-400*	Red	400	1.78	2.0	51	44.6	20.2
SCSR-2A-500*	Red-White	500	2.22	2.0	51	45.3	20.5
SCSR-2A-600*	Red-Orange	600	2.67	2.0	51	45.9	20.8
SCSR-2A-700*	Red-Green	700	3.11	2.0	51	45.9	20.8
SCSR-2A-800*	Green	800	3.56	2.0	51	45.1	20.5
SCSR-2A-900*	Green-White	900	4.00	2.0	51	45.8	20.8
SCSR-2A-1000*	Green-Orange	1000	4.45	2.0	51	46.4	21.0
SCSR-2A-1100*	Green-Green	1100	4.89	2.0	51	46.4	21.0
SCSR-2A-1200*	Green-Grey	1200	5.34	2.0	51	46.6	21.1
SCSR-2A-1400*	Green-Blue	1400	6.23	2.0	51	47.2	21.4
SCSR-2A-1600*	Green-Black	1600	7.12	2.0	51	46.9	21.3
SCSR-2A-1800*	Green-Ivory	1800	8.01	2.0	51	47.3	21.5
SCSR-2A-2000*	Black	2000	8.90	2.0	51	45.1	20.5
SCSR-2A-2200*	Black-Orange	2200	9.97	2.0	51	46.4	21.0
SCSR-2A-2400*	Black-Grey	2400	10.68	2.0	51	46.6	21.1
SCSR-2A-2600*	Black-Blue	2600	11.57	2.0	51	47.2	21.4
SCSR-2A-2800*	Black-Black	2800	12.46	2.0	51	46.9	21.3
SCSR-2A-3200*	Black-Red	3200	14.23	2.0	51	47.6	21.6
SCSR-2A-3700*	Blue-Grey	3700	16.45	2.0	51	47.8	21.7
SCSR-2A-4100*	Blue-Black	4100	18.24	2.0	51	48.4	22.0
SCSR-2A-4500*	Blue-Red	4500	20.02	2.0	51	49.0	22.2
SCSR-2A-5200	(2)Black-Blue	5200	23.13	2.0	51	94.0	42.6
SCSR-2A-6400	(2)Black-Red	6400	28.46	2.0	51	96.0	43.5
SCSR-2A-7400	(2)Blue-Grey	7400	32.92	2.0	51	98.0	44.5
SCSR-2A-8200	(2)Blue-Black	8200	36.48	2.0	51	100.0	45.4
SCSR-2A-9000	(2)Blue-Red	9000	40.03	2.0	51	104.0	47.2

*Sizes up to and including 4500 offered in hot dip galvanized only.
† weights approximate

DIMENSIONS

Model	L	W	H	A	B	C	M	
SCSR-2A	in	mm	in	mm	in	mm	in	
50-4500	12 5/8	321	10	254	9	229	3/4	19
5200-9000	21	533	11	279	9	229	1 1/8	29

Model	W1	E	F	ØD1	ØD2	T
SCSR-2A	in	mm	in	mm	in	mm
50-4500	5 5/8	143	4 1/8	105	4 1/8	105
5200-9000	7	178	4 1/2	114	10 1/2	267

NOTES

- Laterally and vertically restrained spring type isolators with housings and heavy top plates for equipment support
- Welded steel construction housings with vertically restraining limit stops
- Top plate and restraining bolts are designed to be out of contact with housing during normal operation
- Reinforced neoprene elements (snubbers) are incorporated to minimize short-circuiting of restraining bolts
- Minimum 50% additional travel to solid

- Minimum k_x/k_y ratio of 0.8
- Housing is powder-coated; hot-dipped galvanizing is optional
- All components are painted, plated, or coated for outdoor applications
- If less than 80% of the top plate is covered by the supported equipment, use an additional plate (same thickness as the isolator's equipment support plate) on top of the isolator. See installation instructions.
- All springs are powder-coated
- Springs supported with neoprene cups for noise isolation

OPTION <input type="checkbox"/> HOT-DIP GALVANIZED			
Project:		plan view of mount locations	
Customer:			
Consultant:		1: _____ 6: _____	
Dwg No.:		2: _____ 7: _____	
Rev:		3: _____ 8: _____	
Drawn by:		4: _____ 9: _____	
V-A Project Manager:		5: _____ 10: _____	
TAG:		QTY of sets required:	
COMMENTS:		EQUIPMENT:	
		DATE:	