

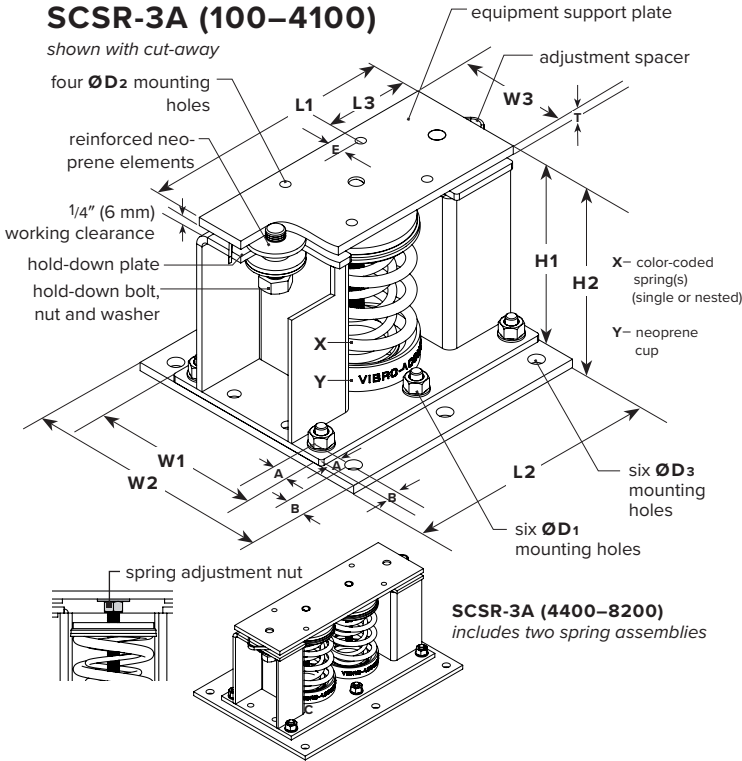
**3" (76 mm) Deflection SCSR
Seismic Restrained Spring
Isolators (for Concrete)**

SCSR-3A
For Concrete
Structure

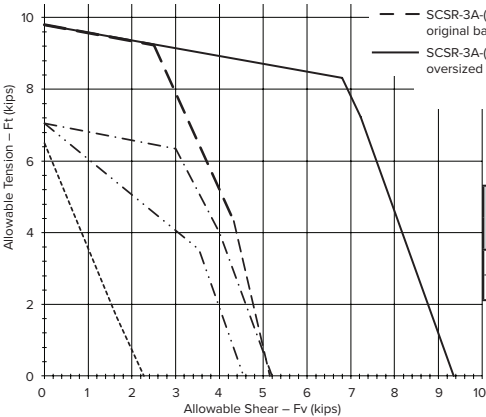
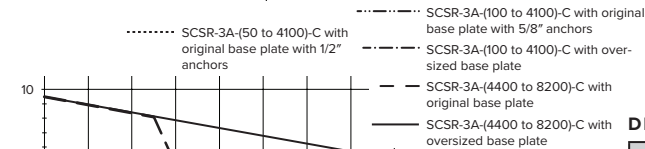
File No.: DS-SCSR3-C-010 Date: 18 Jun 2019
Supersedes: DS-SCSR3-C-009 Date: 1 May 2017

SCSR-3A (100-4100)

shown with cut-away



SCSR-3A (4400-8200)
includes two spring assemblies



For attachment to concrete structure:

- SCSR-3A-(100 to 4100)-C loads are based on using (6) 1/2" hilti kbtz @ 2" emb. on 4" 3000 psi cracked concrete with 12" edge distance
- SCSR-3A-(100 to 4100)-C loads are based on using (6) 5/8" hilti kbtz @ 4" emb. on 6" 3000 psi cracked concrete with 12" edge distance
- SCSR-3A-(100 to 4100)-C with oversized baseplate loads are based on using (6) 5/8" hilti kbtz @ 4" emb. on 6" 3000 psi cracked concrete with 12" edge distance
- SCSR-3A-(4400 to 8200)-C loads are based on using (6) 5/8" hilti kbtz @ 4" emb. on 6" 3000 psi cracked concrete with 12" edge distance
- SCSR-3A-(4400 to 8200)-C loads with oversized baseplate are based on using (6) 3/4" hilti kbtz @ 4-3/4" emb. on 8" 4000 psi cracked concrete with 12" edge distance
- SCSR ratings for concrete are determined in accordance with ACI 318-11

PERFORMANCE

Model	Spring Color outer-inner	Rated Load		Deflection at rated load		Isolator Weight †	
		lb	kN	in	mm	lb	kg
SCSR-3A-100*	Black	100	0.44	3.2	81	68.7	31.2
SCSR-3A-200*	Black-White	200	0.89	3.1	79	71.0	32.3
SCSR-3A-300*	Grey	300	1.33	3.1	79	69.7	31.7
SCSR-3A-400*	Grey-White	400	1.78	3.1	79	72.0	32.7
SCSR-3A-500*	Grey-Yellow	500	2.22	3.0	76	72.1	32.8
SCSR-3A-600*	Orange	600	2.67	3.3	84	69.1	31.4
SCSR-3A-700*	Orange-White	700	3.11	3.3	84	71.4	32.5
SCSR-3A-800*	Green	800	3.56	3.0	76	69.4	31.5
SCSR-3A-900*	Green-White	900	4.00	3.0	76	72.1	32.8
SCSR-3A-1000*	Green-Yellow	1000	4.45	3.0	76	72.2	32.8
SCSR-3A-1200*	Green-Red	1200	5.34	3.0	76	72.6	33.0
SCSR-3A-1500*	White	1500	6.67	3.0	76	69.8	31.7
SCSR-3A-1900*	White-Red	1900	8.44	3.0	76	72.7	33.0
SCSR-3A-2200*	White-Blue	2200	9.97	3.0	76	73.0	33.2
SCSR-3A-2500*	White-Black	2500	11.12	3.0	76	72.7	33.0
SCSR-3A-3000*	Red	3000	13.35	3.0	76	73.0	33.2
SCSR-3A-3300*	Red-Red	3300	14.68	3.0	76	74.6	33.9
SCSR-3A-3600*	Red-Blue	3600	16.01	3.0	76	75.0	34.1
SCSR-3A-4100*	Red-Black	4100	18.24	3.0	76	75.7	34.4
SCSR-3A-4400	(2)White-Blue	4400	19.57	3.0	76	111.4	50.6
SCSR-3A-5000	(2)White-Black	5000	22.24	3.0	76	110.8	50.4
SCSR-3A-5600	(2)Red	5600	24.91	3.0	76	109.1	49.6
SCSR-3A-6600	(2)Red-Red	6600	29.36	3.0	76	112.3	51.0
SCSR-3A-7200	(2)Red-Blue	7200	32.03	3.0	76	114.0	51.8
SCSR-3A-8200	(2)Red-Black	8200	36.48	3.0	76	115.0	52.3

* Sizes up to and including 4100 offered in hot-dipped galvanized only.
For higher capacities, contact Vibro-Acoustics factory! † weights are approximate
(oversized base plate for 100-4100 is 32 lb., 4400-8200 is 58 lb.)

DIMENSIONS

Model	L1	L2	L3	W1	W2	W3
SCSR-3A	in mm	in mm	in mm	in mm	in mm	in mm
100-4100	15 1/4 387	15 1/4 387	5 127	10 3/8 264	14 7/8 378	6 5/8 168
4400-8200	21 7/8 556	24 610	5 127	10 5/8 270	17 432	6 7/8 175

Model	H1	H2	A	B	E	ØD1	ØD2	ØD3	T
SCSR-3A	in mm	in mm	in mm	in mm	in mm	in mm	in mm	in mm	in mm
100-4100	10 3/4 273	11 1/4 286	1 25	1 1/4 32	1 25	11/16 17	9/16 14	7/8 22	1/2 13
4400-8200	10 3/4 273	11 1/4 286	1 25	1 1/4 32	1 25	11/16 17	11/16 17	7/8 22	1/2 13

NOTES

- Laterally and vertically restrained spring type isolators with housings and heavy top plates for equipment support
- Welded steel construction housings with vertically restraining limit stops
- Top plate and restraining bolts are designed to be out of contact with housing during normal operation
- Reinforced neoprene elements (snubbers) are incorporated to minimize short-circuiting of restraining bolts
- Minimum 50% additional travel to solid
- Minimum k_x/k_y ratio of 0.8
- Housing is powder-coated; hot-dipped galvanizing is optional
- All components are painted, plated, or coated for outdoor applications
- If less than 80% of the top plate is covered by the supported equipment, use an additional plate on top of the isolator. See installation instructions.
- All springs are powder-coated
- Springs supported with neoprene cups for noise isolation

OPTIONS		<input type="checkbox"/> HOT-DIP GALVANIZED	<input type="checkbox"/> OVERSIZED BASE PLATE	
Project:		plan view of mount locations		
Customer:				
Consultant:				
Dwg No.:	Rev:			Drawn by:
V-A Project Manager:				
TAG:				
COMMENTS:		EQUIPMENT:	DATE:	