

tel: 416-291-7371 1-800-565-8401
fax: 416-291-8049 1-888-811-2264

web: www.vibro-acoustics.com
eml: info@vibro-acoustics.com

**AHCS Equipment-Mounted
Adjustable Thrust Restraints**

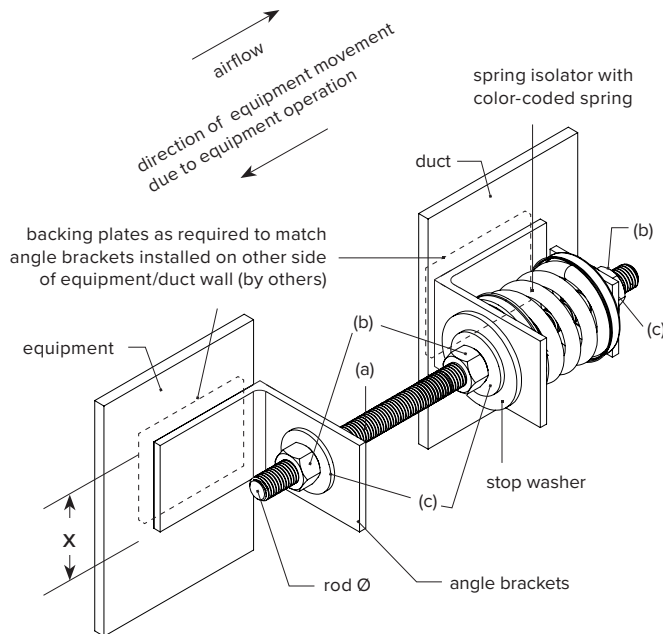
AHCS-1

File No.: DS-AHCS1-003

Date: 30 Aug 2017

Supersedes: DS-AHCS1-002

Date: 14 June 2017



- (a) 15" (381 mm) long threaded rod
- (b) Full hex nuts (6 per isolator)
- (c) USS washer (5 per isolator)

PERFORMANCE FOR PAIR OF ISOLATORS

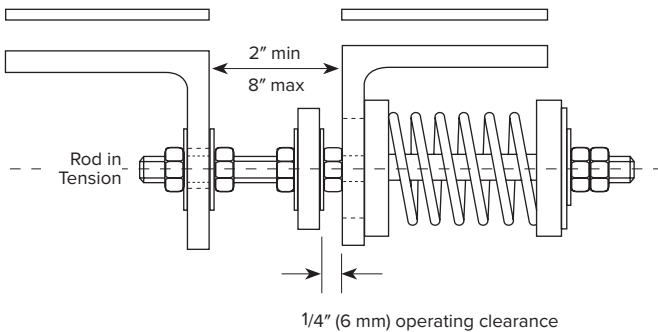
Model	Spring Color	Thrust Load Range per Pair of Isolators		Isolator Weight for pair †			
		Non-Precompressed (Min.)	Precompressed (Max.)				
		lb	kN	lb	kN	lb	kg
AHCS-1N-50	Blue	25	0.11	125	0.56	12.5	5.7
AHCS-1N-100	White	50	0.22	250	1.11	12.5	5.7
AHCS-1N-150	Orange	75	0.33	375	1.67	12.5	5.7
AHCS-1N-200	Gray	100	0.44	500	2.22	12.5	5.7
AHCS-1N-300	Black	150	0.67	750	3.34	12.7	5.8
AHCS-1N-400	Green	200	0.89	1000	4.45	12.7	5.8
AHCS-1N-500	Yellow	250	1.11	1250	5.56	12.7	5.8
AHCS-1N-600	Red	300	1.33	1500	6.67	12.7	5.8
AHCS-1N-800	Blue	400	1.80	2000	8.90	12.9	5.9
AHCS-1N-1000	Ivory	500	2.22	2500	11.12	16.6	5.9
AHCS-1N-1500	White	750	3.34	3750	16.68	16.6	5.9

† weights are approximate

DIMENSIONS: AHCS-1N

Model	X	Rod Ø	Angle Brackets
AHCS-1N	in mm	in mm	in mm
50-800	3 76	1/2 13	4 × 4 × 1/4 101 × 101 × 6
1000-1500	4 102	5/8 16	4 × 4 × 3/8 101 × 101 × 10

PLAN VIEW DETAIL



NOTES

- Two assemblies required per installation
- Used for base mounted and suspended inline fans
- All parts except backing plates and attachment hardware are supplied by Vibro-Acoustics
- Minimum spring k_x/k_y ratio of 0.8
- All elements safe at solid loading
- All hardware zinc-plated, Grade 2 minimum
- All springs enamel powder-coated
- Brackets prime-painted
- Thrust load range based on min. spring deflection of 0.25", a max. spring deflection of 1.25", and angle bracket strength limits.
- Precompression of springs done on site by installing contractor as required.

Project:	Model:	QTY of sets required:		
Customer:	DWN:	CHK:	REV:	DATE:
Consultant:	TAG:	UNIT:		
V-A Project No.:	COMMENTS:			
V-A Project Manager:				