

tel: 416-291-7371 1-800-565-8401
fax: 416-291-8049 1-888-811-2264

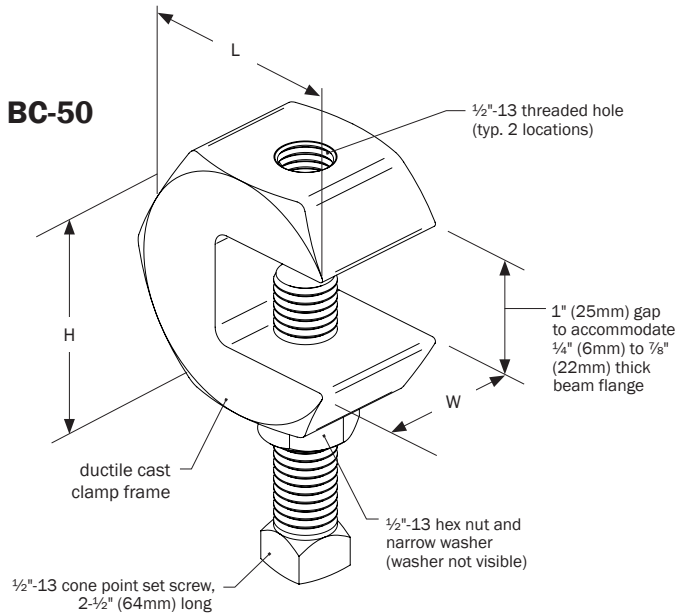
web: www.vibro-acoustics.com
eml: info@vibro-acoustics.com

BulletClamp™ (Design Patent Pending)
Seismically Rated Beam Clamp

BC

File No.: DS-BC-001
Supersedes: New

Date: 18 Apr 2017
Date: New



PERFORMANCE

Transverse Restraint Tension Capacity	Longitudinal Restraint Tension Capacity	V-Anchor Method Tension Capacity
lbs kN	lbs kN	lbs kN
2500 11.1	2500 11.1	2500 11.1
$30 \leq \alpha_1 \leq 60$	$30 \leq \alpha_2 \leq 60$	$30 \leq \alpha_1, \alpha_2 \leq 60$

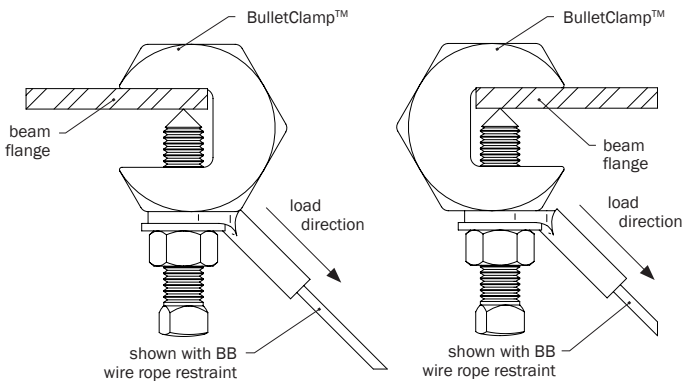
DIMENSIONS

Clamp Dimensions			1/2"-13 UNC Bolt Length	Total Weight	Installation Torque
L	W	H			
in mm	in mm	in mm	in mm	lbs kg	lbf-ft N-m
2-3/16" 56	1-1/4" 32	2-1/8" 54	2-1/2" 64	0.9 0.4	25 34

INSTALLATION DETAILS

ORIENTATION 1 - AWAY FROM BEAM

ORIENTATION 2 - TOWARDS BEAM



NOTES

- Ferritic, ductile cast clamp with zinc-chromated finish
- BC beam clamp includes 1/2"-13 cone point set screw
- High strength set screw is fully threaded and case hardened
- Set screw and hex nut are zinc plated
- Product is fully compatible with V-Anchor method using BB, BBR and RRK seismic restraint kits
- Tension capacities are the maximum loads that can be applied to the wire rope restraint attached to the clamp
- The seismic beam clamp is shown with BB kits

Project:			1:	6:
Customer:			2:	7:
Consultant:			3:	8:
Dwg No.:	Rev:	Drawn by:	4:	9:
V-A Project Manager:			5:	10:
TAG:	EQUIPMENT:		QTY of sets required:	
COMMENTS:				DATE: