

tel: 416-291-7371 1-800-565-8401
fax: 416-291-8049 1-888-811-2264

web: www.vibro-acoustics.com
eml: info@vibro-acoustics.com

**1" (25 mm) Deflection CM
Closed Mount Spring Isolators**

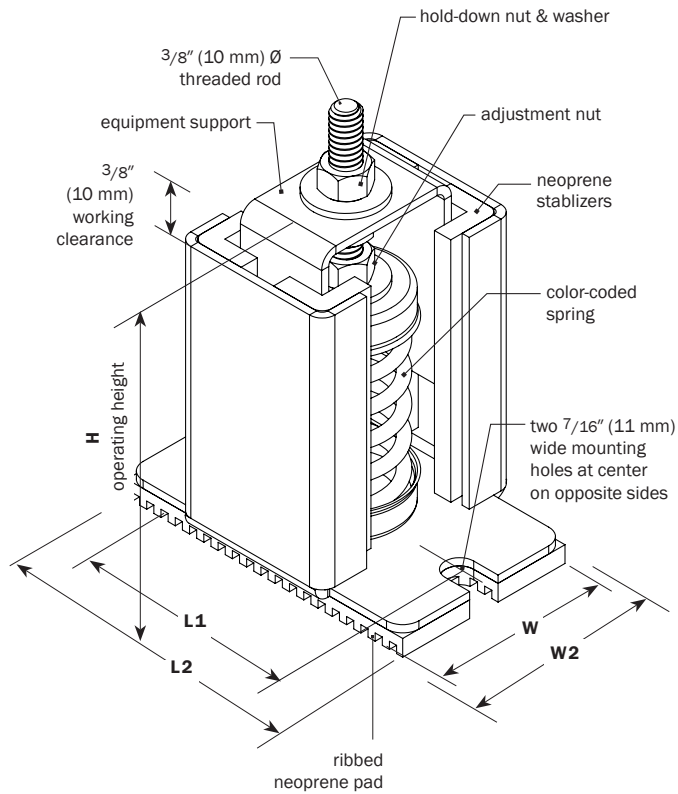
CM-SN

File No.: DS-CMSN-006

Date: 28 Sep 2011

Supersedes: DS-CMSN-005

Date: 16 Sep 2011



PERFORMANCE

Model	Spring Color outer-inner	Rated Load lb kN	Deflection at rated load		Isolator Weight †	
			in	mm	lb	kg
CM-SN-15	White	15 0.07	1.0	25	2.5	1.1
CM-SN-30	Yellow	30 0.13	1.0	25	2.5	1.1
CM-SN-45	Orange	45 0.20	1.0	25	2.5	1.2
CM-SN-60	Red	60 0.27	1.1	28	2.5	1.2
CM-SN-100	Blue	100 0.44	1.1	28	2.6	1.2
CM-SN-150	Black	150 0.67	1.0	25	2.6	1.2
CM-SN-200	Grey	200 0.90	1.0	25	2.7	1.2

for additional loads, see CM-1 † weights are approximate

DIMENSIONS

Model	L1	L2	W	W2	H
CM-SN	in mm	in mm	in mm	in mm	in mm
15-200	3 1/8 79	4 1/4 108	2 1/2 64	3 76	4 1/2 114

NOTES

- Housed spring type with telescoping equipment support plate, leveling bolt and hold-down nut for attaching equipment.
- Spring is supported with a cup on a metal base plate complete with a ribbed neoprene vibration isolation pad, 1/4" (6 mm) thick, bonded to the base plate.
- Steel telescoping housing incorporates neoprene stabilizers that prevent metal to metal contact while resisting lateral movement and provide vertical damping.
- Minimum 50% additional travel to solid

Project:			plan view of mount locations 		1:	6:
Customer:					2:	7:
Consultant:			QTY of sets required:		3:	8:
Dwg No.:	Rev:	Drawn by:			4:	9:
V-A Project Manager:					5:	10:
TAG:			EQUIPMENT:			
COMMENTS:					DATE:	