

tel: 416-291-7371 1-800-565-8401
fax: 416-291-8049 1-888-811-2264

web: www.vibro-acoustics.com
eml: info@vibro-acoustics.com

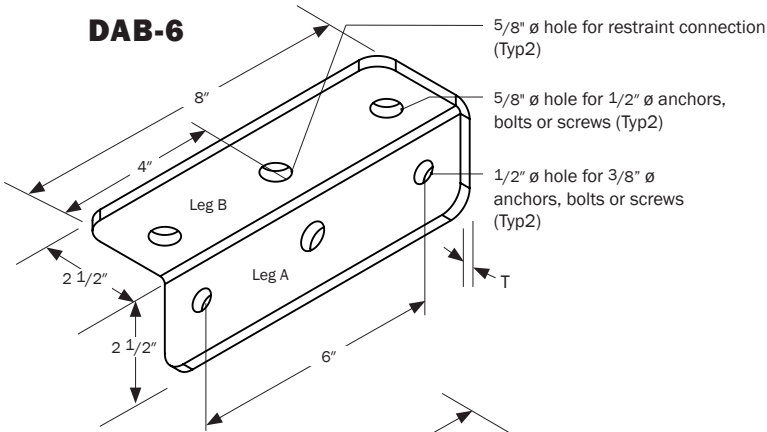
Double Anchor Bracket

DAB

File No.: DS-DAB-01
Supersedes: New

Date: 20 Dec 2016
Date: New

DAB-6



DAB-12

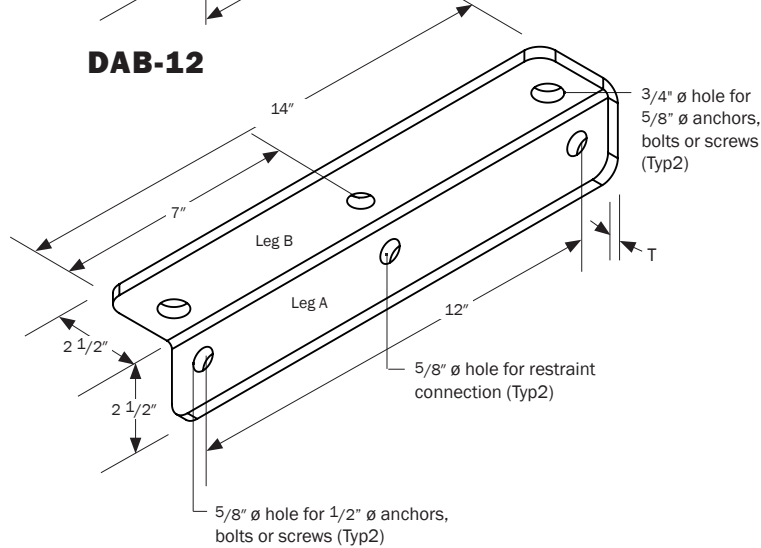
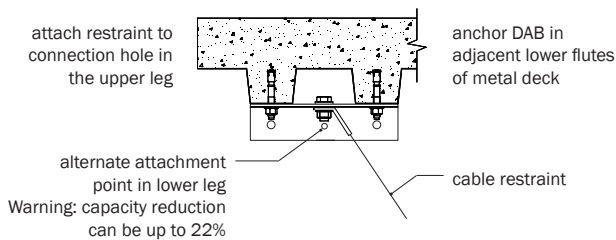


Fig. 1
Installation configuration for metal deck



PERFORMANCE

Model	Maximum Tension Load in Attached Restraint			
	6" Concrete lb kN	Metal B Deck lb kN	Metal W Deck lb kN	Wood lb kN
DAB-6	1400 6.23	1400 6.23	- -	1400 6.23
DAB-12	2000 8.90	- -	1817 8.08	2000 8.90

Rated loads based on:

- 30° - 60° restraint installation angle
- 4000 psi concrete
- Hilti KB-TZ anchors
- Metal deck with minimum 3.25" concrete cover (per Fig. 1)
- Wood thickness at least 8 x anchor diameter
- See BB-AL for additional requirements and load ratings for other constructions

DIMENSIONS

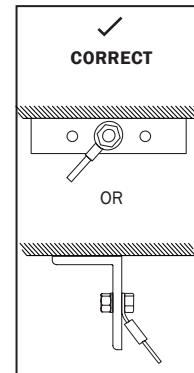
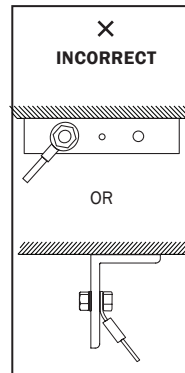
Model	Restraint Connection Max Bolt Diameter in mm	Leg A Anchor Diameter in mm	Leg B Anchor Diameter in mm	Angle Thickness T in mm
DAB-6	5/8 16	3/8 8.5	1/2 13	1/8 6
DAB-12	5/8 16	1/2 13	5/8 16	1/4 8

† weights are approximate

NOTES

- Brackets for use with restraint kits to restrain non-structural components (e.g., equipment, ductwork, piping and conduit) against seismic, wind, or blast forces. Not meant for gravity loads.
- One bracket required per restraint point; two brackets required per cable restraint kit

- High strength steel formed angles
- Bracket is powder coated for corrosion protection.
- Other materials and finishes available (e.g. stainless steel).



attach restraint only to center hole

attach restraint to pull away from angle, not into it

Project:			1:	6:
Customer:			2:	7:
Consultant:			3:	8:
Dwg No.:	Rev:	Drawn by:	4:	9:
V-A Project Manager:			5:	10:
TAG:	EQUIPMENT:		QTY of sets required:	
COMMENTS:				DATE: