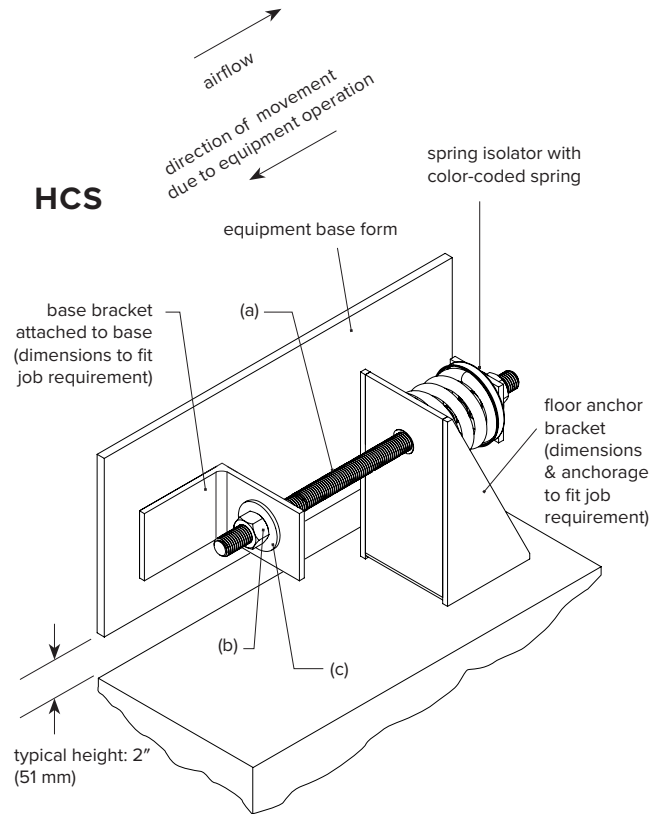


tel: 416-291-7371 1-800-565-8401 web: www.vibro-acoustics.com
fax: 416-291-8049 1-888-811-2264 eml: info@vibro-acoustics.com

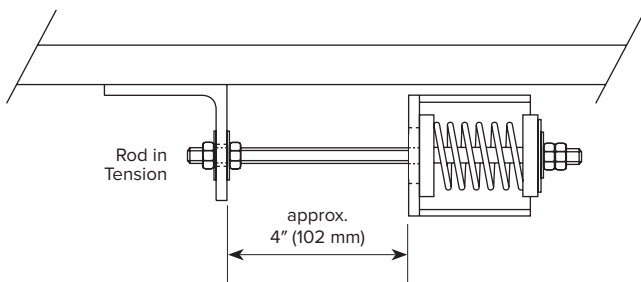
HCS Base-Mounted Thrust Restraints

File No.: DS-HCS1-003 Date: 30 Aug 2017
Supersedes: DS-HCS1-002 Date: 14 June 2017



- (a) 12" (305 mm) long threaded rod
- (b) Full hex nuts (4 per isolator)
- (c) USS washer (3 per isolator)

PLAN VIEW DETAIL



PERFORMANCE FOR PAIR OF ISOLATORS

Model	Spring Color	Thrust Load* per Pair of Isolators		Isolator Weight for pair †	
		lb	kN	lb	kg
HCS-1N-50	Blue	25	0.11	40.2	18.3
HCS-1N-100	White	50	0.22	40.2	18.3
HCS-1N-150	Orange	75	0.33	40.2	18.3
HCS-1N-200	Gray	100	0.44	40.2	18.3
HCS-1N-300	Black	150	0.67	40.4	18.4
HCS-1N-400	Green	200	0.89	40.4	18.4
HCS-1N-500	Yellow	250	1.11	40.4	18.4
HCS-1N-600	Red	300	1.33	40.4	18.4
HCS-1N-800	Blue	400	1.80	40.6	18.5
HCS-1N-1000	Ivory	500	2.22	46.0	20.9
HCS-1N-1500	White	750	3.34	46.4	21.1

*For higher thrust loads see HCSP-1

† weights are approximate

ROD DIMENSION: HCS-1N

Model	Rod Ø
HCS-1N	in mm
50-800	1/2 13
1000-1500	5/8 16

NOTES

- Two assemblies required per installation
- Used for base mounted air-moving equipment
- All parts except attachment hardware are supplied by Vibro-Acoustics
- Minimum spring k_x/k_y ratio of 0.8
- All elements safe at solid loading
- All hardware zinc-plated, Grade 2 minimum
- All springs enamel powder-coated
- Brackets prime-painted
- Thrust load based on min. spring deflection of 0.25"

Project:	Model:	QTY of sets required:		
Customer:	DWN:	CHK:	REV:	DATE:
Consultant:	TAG:	UNIT:		
V-A Project No.:	COMMENTS:			
V-A Project Manager:				