

tel: 416-291-7371 1-800-565-8401  
fax: 416-291-8049 1-888-811-2264

web: www.vibro-acoustics.com  
eml: info@vibro-acoustics.com

**2" (50 mm) Deflection PSHR  
Precompressed Spring Hangers  
with Neoprene**

**PSHR-2**

File No.: DS-PSHR2-014

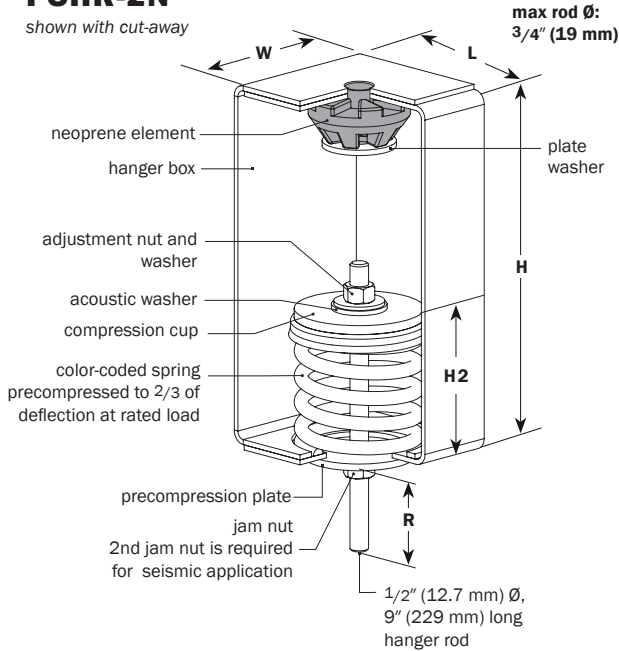
Date: 6 May 2016

Supersedes: DS-PSHR2-013

Date: 24 Feb 2016

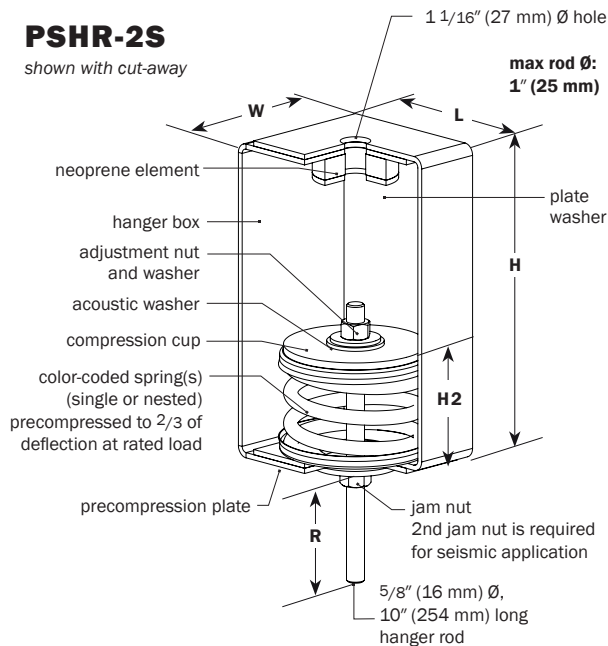
**PSHR-2N**

shown with cut-away



**PSHR-2S**

shown with cut-away



**PERFORMANCE**

Model	Spring Color	Element Color	Rated Load		Deflection at rated load		Isolator Weight †	
			lb	kN	in	mm	lb	kg
PSHR-2N-50	Red	Green	50	0.22	2.0	51	8.3	3.8
PSHR-2N-100	White	Green	100	0.44	2.0	51	8.4	3.8
PSHR-2N-200	Orange	Green	200	0.89	2.0	51	9.0	4.1
PSHR-2N-300	Green	Green	300	1.33	2.1	53	9.0	4.1
PSHR-2N-400	Grey	Red	400	1.78	2.0	51	9.3	4.2
PSHR-2N-500	Yellow	Black	500	2.22	2.1	53	9.4	4.3
PSHR-2N-600	Blue	Blue	600	2.67	2.0	51	9.9	4.5
PSHR-2N-800	Black	Blue	800	3.56	2.1	53	9.5	4.3
PSHR-2N-1000	Ivory	Yellow	1000	4.45	2.0	51	9.9	4.5
PSHR-2S-800	Green	Green	800	3.56	2.0	51	18.0	8.1
PSHR-2S-900	Green/White	Green	900	4.00	2.0	51	18.6	8.5
PSHR-2S-1000	Green/Orange	Green	1000	4.45	2.0	51	19.3	8.7
PSHR-2S-1100	Green/Green	Green	1100	4.89	2.0	51	19.2	8.7
PSHR-2S-1200	Green/Grey	Green	1200	5.34	2.0	51	19.5	8.9
PSHR-2S-1300	Green/Yellow	Green	1300	5.78	2.0	51	19.6	8.9
PSHR-2S-1400	Green/Blue	Green	1400	6.23	2.0	51	20.1	9.1
PSHR-2S-1600	Green/Black	Green	1600	7.12	2.1	53	19.7	9.0
PSHR-2S-1800	Green/Ivory	Green	1800	8.01	2.0	51	20.1	9.1

† weights are approximate

**DIMENSIONS: PSHR-2N**

Model	L	W	H	H2*	R					
PSHR-2N	in	mm	in	mm	in	mm				
50-1000	5	127	4 1/2	114	10 1/4	260	4 1/8	105	4	102

\* precompressed height

**DIMENSIONS: PSHR-2S**

Model	L	W	H	H2*	R					
PSHR-2S	in	mm	in	mm	in	mm				
800-1800	6 1/2	165	5	127	11 1/2	292	5	127	4	102

\* precompressed height

**NOTES**

- Spring hanger with steel spring and welded steel housing.
- Springs are precompressed to 2/3 of deflection at rated load
- Hanger is designed to allow support rod misalignment through a 30-degree arc without contacting the hanger box
- Precompression plate serves as vertical uplift stopwasher for seismically restrained equipment, duct or piping. A second jam nut must be added to lock it in place.
- Coupling (by others) is required for attaching to support rod
- Minimum 50% additional travel to solid
- All elements safe at solid loading
- All hardware zinc-plated, Grade 2 minimum
- Springs and hanger boxes are powder-coated

<b>Project:</b>			plan view of hanger locations 		1:	6:
<b>Customer:</b>					2:	7:
<b>Consultant:</b>					3:	8:
<b>Dwg No.:</b>	<b>Rev:</b>	<b>Drawn by:</b>			4:	9:
<b>V-A Project Manager:</b>			5:	10:	<b>QTY of sets required:</b>	
<b>TAG:</b>			<b>EQUIPMENT:</b>			
<b>COMMENTS:</b>			<b>DATE:</b>			