

**Double Deflection RD
Rubber-in-Shear Floor Mounts**

RD

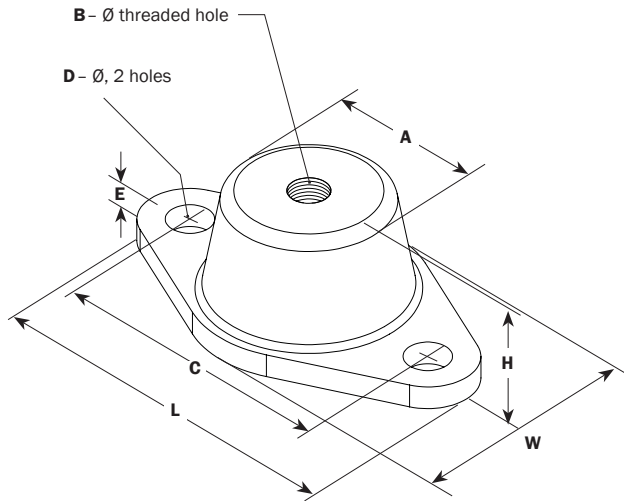
File No.: DS-RD-007

Date: 8 May 2017

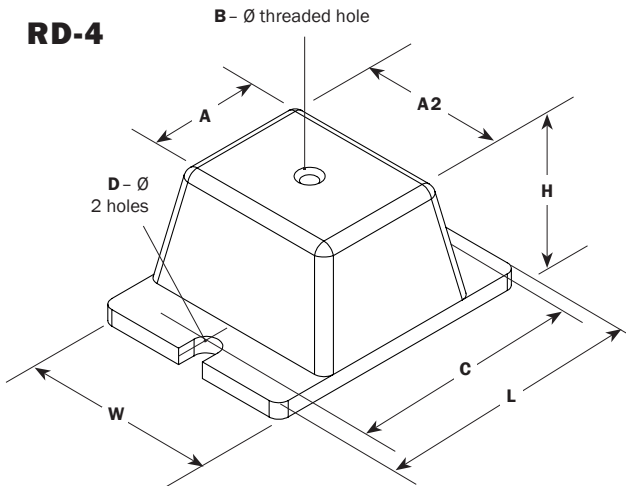
Supersedes: DS-RD-006

Date: 23 Jun 2014

RD-1, 2, 3



RD-4



PERFORMANCE

Model	Color Code	Max Load		Deflection at rated load		Isolator Weight †	
		lb	kN	in	mm	lb	kg
RD-1	Blue	35	0.16	0.40	10	0.13	0.06
	Black	45	0.20				
	Red	70	0.31				
	Green	120	0.53				
RD-2	Blue	135	0.60	0.50	13	0.33	0.15
	Black	170	0.76				
	Red	240	1.07				
	Green	380	1.69				
	Gray	550	2.45				
RD-3	Black	250	1.11	0.50	13	1.02	0.47
	Red	525	2.34				
	Green	750	3.34				
	Gray	1100	4.89				
RD-4	Black	1500	3.03	0.50	13	3.20	1.45
	Red	2250	10.01				
	Green	3000	13.34				
	Gray	4000	17.79				

† weights are approximate

DIMENSIONS: RD-1, 2, 3 (in mm)

Type	L	W	H*	A	B	C	D	E
RD-1	3 1/8	1 3/4	1 1/4	1 1/4	5/16	2 3/8	0.34	0.19
	79	44	32	32	8	60	9	5
RD-2	3 7/8	2 3/8	1 3/4	1 3/4	3/8	3	0.34	0.22
	99	60	44	44	10	76	9	6
RD-3	5 1/2	3 3/8	2 7/8	2 1/2	1/2	4 1/8	9/16	1/4
	140	86	73	64	13	105	14	6

* free (unloaded) height

DIMENSIONS: RD-4 (in mm)

Type	L	W	H*	A	A2	B	C	D	E
RD-4	6 1/4	4 5/8	2 3/4	3	3 3/4	1/2	5	9/16	3/8
	159	118	70	76	95	13	127	14	10

* free (unloaded) height

NOTES

- "Double-deflection" neoprene type, with neoprene-coated steel surfaces, and top and bottom surfaces ribbed. Isolators have bolt holes in the base
- Natural frequencies as low as 4.5 Hz at maximum loads

Project:			plan view of mount locations				1:		6:	
Customer:							2:		7:	
Consultant:			3:		8:					
Dwg No.:		Rev:	4:		9:					
V-A Project Manager:			5:		10:					
TAG:			EQUIPMENT:				QTY of sets required:			
COMMENTS:							DATE:			