

**3" (76 mm) Deflection SCSR
Seismic Restrained Spring
Isolators (for Steel)**

SCSR-3A
For Steel Structure

File No.: DS-SCSR3-S-010

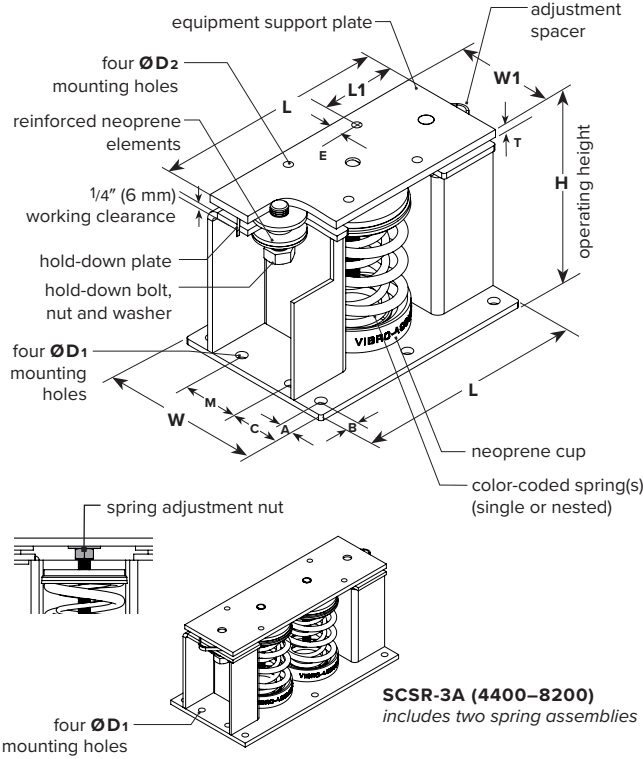
Date: 18 Jun 2019

Supersedes: DS-SCSR3-S-009

Date: 11 Aug 2017

SCSR-3A (100-4100)

shown with cut-away



PERFORMANCE

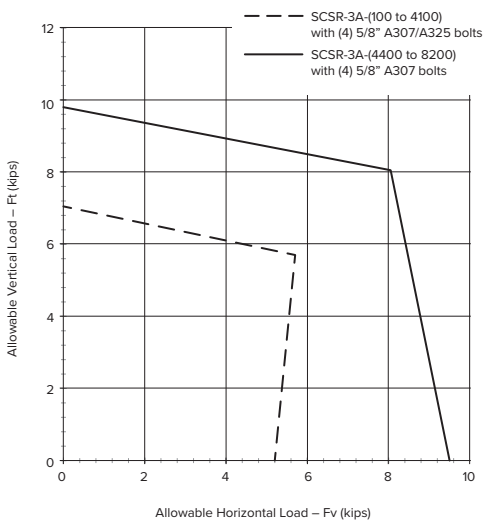
Model	Spring Color	Rated Load		Deflection at rated load		Isolator Weight †	
		lb	kN	in	mm	lb	kg
SCSR-3A-100*	Black	100	0.44	3.2	81	68.7	31.2
SCSR-3A-200*	Black-White	200	0.89	3.1	79	71.0	32.3
SCSR-3A-300*	Grey	300	1.33	3.1	79	69.7	31.7
SCSR-3A-400*	Grey-White	400	1.78	3.1	79	72.0	32.7
SCSR-3A-500*	Grey-Yellow	500	2.22	3.0	76	72.1	32.8
SCSR-3A-600*	Orange	600	2.67	3.3	84	69.1	31.4
SCSR-3A-700*	Orange-White	700	3.11	3.3	84	71.4	32.5
SCSR-3A-800*	Green	800	3.56	3.0	76	69.4	31.5
SCSR-3A-900*	Green-White	900	4.00	3.0	76	72.1	32.8
SCSR-3A-1000*	Green-Yellow	1000	4.45	3.0	76	72.2	32.8
SCSR-3A-1200*	Green-Red	1200	5.34	3.0	76	72.6	33.0
SCSR-3A-1500*	White	1500	6.67	3.0	76	69.8	31.7
SCSR-3A-1900*	White-Red	1900	8.44	3.0	76	72.7	33.0
SCSR-3A-2200*	White-Blue	2200	9.97	3.0	76	73.0	33.2
SCSR-3A-2500*	White-Black	2500	11.12	3.0	76	72.7	33.0
SCSR-3A-3000*	Red	3000	13.35	3.0	76	73.0	33.2
SCSR-3A-3300*	Red-Red	3300	14.68	3.0	76	74.6	33.9
SCSR-3A-3600*	Red-Blue	3600	16.01	3.0	76	75.0	34.1
SCSR-3A-4100*	Red-Black	4100	18.24	3.0	76	75.7	34.4
SCSR-3A-4400	(2)White-Blue	4400	19.57	3.0	76	111.4	50.6
SCSR-3A-5000	(2)White-Black	5000	22.24	3.0	76	110.8	50.4
SCSR-3A-5600	(2)Red	5600	24.91	3.0	76	109.1	49.6
SCSR-3A-6600	(2)Red-Red	6600	29.36	3.0	76	112.3	51.0
SCSR-3A-7200	(2)Red-Blue	7200	32.03	3.0	76	114.0	51.8
SCSR-3A-8200	(2)Red-Black	8200	36.48	3.0	76	115.0	52.3

* Sizes up to and including 4100 offered in hot-dipped galvanized only
For higher capacities, contact Vibro-Acoustics factory! † weights are approximate

DIMENSIONS

Model	L	W	H	A	B	C	M
SCSR-3A	in mm	in mm	in mm	in mm	in mm	in mm	in mm
100-4100	15 1/4 387	10 3/8 264	10 3/4 273	1.0 25	1.0 25	3 5/16 84	3 3/4 95
4400-8200	217/8 556	105/8 270	10 3/4 273	1.0 25	1.0 25	3 7/16 87	3 3/4 95

Model	W1	L1	E	ØD1	ØD2	T
SCSR-3A	in mm	in mm	in mm	in mm	in mm	in mm
100-4100	6 5/8 168	5 127	1 25	1 1/16 17	9/16 14	1/2 13
4400-8200	6 7/8 175	5 127	1 25	1 1/16 17	1 1/16 17	1/2 13



NOTES

- Laterally and vertically restrained spring type isolators with housings and heavy top plates for equipment support
- Welded steel construction housings with vertically restraining limit stops
- Top plate and restraining bolts are designed to be out of contact with housing during normal operation
- Reinforced neoprene elements (snubbers) are incorporated to minimize short-circuiting of restraining bolts
- Minimum 50% additional travel to solid
- Minimum k_x/k_y ratio of 0.8
- Housing is powder-coated; hot-dipped galvanizing is optional
- All components are painted, plated, or coated for outdoor applications
- If less than 80% of the top plate is covered by the supported equipment, use an additional plate on top of the isolator. See installation instructions.
- All springs are powder-coated
- Springs supported with neoprene cups for noise isolation

OPTION		HOT-DIP GALVANIZED			
Project:		plan view of mount locations 		1:	6:
Customer:				2:	7:
Consultant:				3:	8:
Dwg No.:				4:	9:
Rev:	Drawn by:	5:	10:	QTY of sets required:	
V-A Project Manager:		EQUIPMENT:			
TAG:		DATE:			
COMMENTS:					