

tel: 416-291-7371 1-800-565-8401  
fax: 416-291-8049 1-888-811-2264

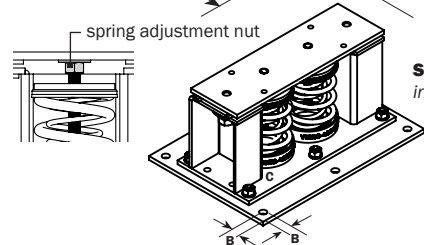
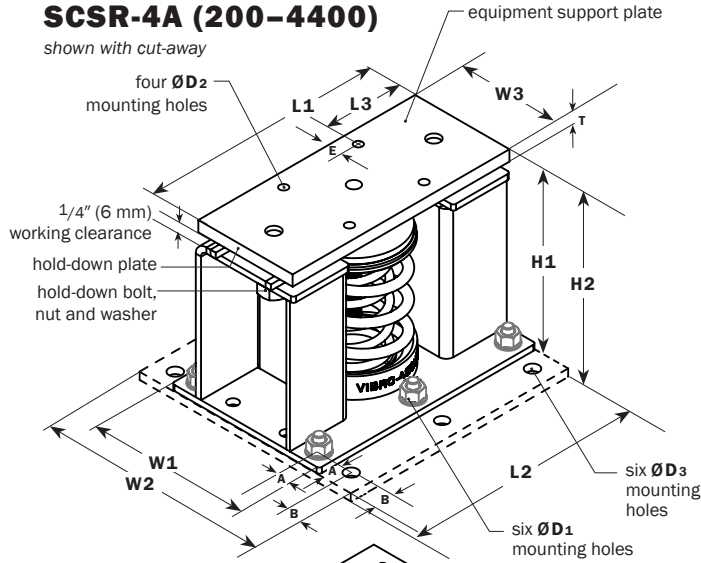
web: www.vibro-acoustics.com  
eml: info@vibro-acoustics.com

File No.: DS-SCSR4-C-001  
Supersedes: New

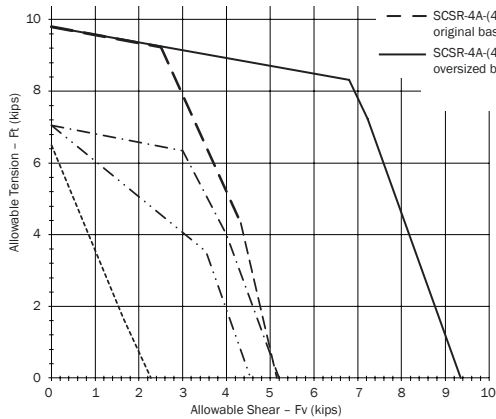
Date: 11 Oct 2016  
Date: New

**SCSR-4A (200-4400)**

shown with cut-away



----- SCSR-4A-(200 to 4400)-C with original base plate with 5/8" anchors  
----- SCSR-4A-(200 to 4400)-C with oversized base plate with 1/2" anchors  
----- SCSR-4A-(4800 to 8800)-C with original base plate  
----- SCSR-4A-(4800 to 8800)-C with oversized base plate



**For attachment to concrete structure:**

- SCSR-4A-(200 to 4400)-C loads are based on using (6) 1/2" hilti kbtz @ 2" emb. on 4" 3000 psi cracked concrete with 12" edge distance
- SCSR-4A-(200 to 4400)-C loads are based on using (6) 5/8" hilti kbtz @ 4" emb. on 6" 3000 psi cracked concrete with 12" edge distance
- SCSR-4A-(200 to 4400)-C with oversized baseplate loads are based on using (6) 5/8" hilti kbtz @ 4" emb. on 6" 3000 psi cracked concrete with 12" edge distance
- SCSR-4A-(4800 to 8800)-C loads are based on using (6) 5/8" hilti kbtz @ 4" emb. on 6" 3000 psi cracked concrete with 12" edge distance
- SCSR-4A-(4800 to 8800)-C loads with oversized baseplate are based on using (6) 3/4" hilti kbtz @ 4-3/4" emb. on 8" 4000 psi cracked concrete with 12" edge distance
- SCSR ratings for concrete are determined in accordance with ACI 318-11

**PERFORMANCE**

Model	Spring Color outer-inner	Rated Load		Deflection at rated load in mm	Isolator Weight †	
		lb	kN		lb	kg
SCSR-4A-200	Blue	200	0.89	4.0	102	74.6 33.8
SCSR-4A-400	Blue-Blue	400	1.78	4.0	102	75.6 34.3
SCSR-4A-600	Red	600	2.67	4.0	102	72.6 32.9
SCSR-4A-800	Red-Blue	800	3.56	4.0	102	72.9 33.1
SCSR-4A-1000	Red-Red	1000	4.45	4.0	102	75.8 34.4
SCSR-4A-1200	Green	1200	5.34	4.0	102	76.2 34.6
SCSR-4A-1400	Green-Blue	1400	6.23	4.0	102	73.3 33.2
SCSR-4A-1600	Green-Red	1600	7.12	4.0	102	75.1 34.1
SCSR-4A-1800	Green-White	1800	8.01	4.0	102	75.6 34.3
SCSR-4A-2000	Black	2000	8.90	4.0	102	76.3 34.6
SCSR-4A-2200	Black-Blue	2200	9.79	4.0	102	76.7 34.8
SCSR-4A-2400	Black-Red	2400	10.68	4.0	102	76.3 34.6
SCSR-4A-2600	Black-White	2600	11.57	4.0	102	77.7 35.2
SCSR-4A-3000	Black-Black	3000	13.34	4.0	102	78.8 35.7
SCSR-4A-3400	White	3400	15.12	4.0	102	78.3 35.5
SCSR-4A-3800	White-Red	3800	16.90	4.0	102	81.9 37.1
SCSR-4A-4400	White-Black	4400	19.57	4.0	102	84.4 38.3
SCSR-4A-4800	(2)Black-Red	4800	21.35	4.0	102	116.3 52.8
SCSR-4A-5200	(2)Black-White	5200	23.13	4.0	102	114.6 52.0
SCSR-4A-6000	(2)Black-Black	6000	26.69	4.0	102	116.6 52.9
SCSR-4A-6800	(2)White	6800	30.25	4.0	102	117.9 53.5
SCSR-4A-7600	(2)White-Red	7600	33.81	4.0	102	123.9 56.2
SCSR-4A-8800	(2)White-Black	8800	39.14	4.0	102	126.0 57.2

For higher capacities, contact Vibro-Acoustics factory  
† weights are approximate  
(oversized base plate for 200-4400 is 32 lb., 4800-8800 is 58 lb.)

**DIMENSIONS**

Model	L1	L2	L3	W1	W2	W3
<b>SCSR-4A</b>	in mm	in mm	in mm	in mm	in mm	in mm
200-4400	15 1/4 387	15 1/4 387	5 127	10 3/8 264	14 7/8 378	6 5/8 168
4800-8800	21 7/8 556	24 610	5 127	10 5/8 270	17 432	6 7/8 175

Model	H1	H2	A	B	E	ØD1	ØD2	ØD3	T
<b>SCSR-4A</b>	in mm	in mm	in mm	in mm	in mm	in mm	in mm	in mm	in mm
200-4400	11 280	11 1/2 292	1 25	1 1/4 32	1 25	11/16 17	9/16 14	7/8 22	3/4 19
4800-8800	11 280	11 1/2 292	1 25	1 1/4 32	1 25	11/16 17	11/16 17	7/8 22	3/4 19

**NOTES**

- Laterally and vertically restrained spring type isolators with housings and heavy top plates for equipment support
- Welded steel construction housings with vertically restraining limit stops
- Top plate and restraining bolts are designed to be out of contact with housing during normal operation
- Reinforced neoprene elements (snubbers) are incorporated to minimize short-circuiting of restraining bolts
- Minimum 50% additional travel to solid
- Minimum k<sub>x</sub>/k<sub>y</sub> ratio of 0.8
- Housing is hot-dipped galvanized
- All components are painted, plated, or coated for outdoor applications
- If less than 80% of the top plate is covered by the supported equipment, use an additional plate (same thickness as the isolator's equipment support plate) on top of the isolator. See installation instructions.
- All springs are powder-coated
- Springs supported with neoprene cups for noise isolation
- Springs are pre-compressed to 35% of the capacity inside the housing

**OPTIONS**  **OVERSIZED BASE PLATE**

<b>Project:</b>	plan view of mount locations			1:	6:		
<b>Customer:</b>				2:	7:		
<b>Consultant:</b>				3:	8:		
<b>Dwg No.:</b>				<b>Rev:</b>	<b>Drawn by:</b>	4:	9:
<b>V-A Project Manager:</b>							5:
<b>TAG:</b>	<b>EQUIPMENT:</b>			<b>QTY of sets required:</b>			
<b>COMMENTS:</b>				<b>DATE:</b>			