

tel: 416-291-7371 1-800-565-8401
fax: 416-291-8049 1-888-811-2264

web: www.vibro-acoustics.com
eml: info@vibro-acoustics.com

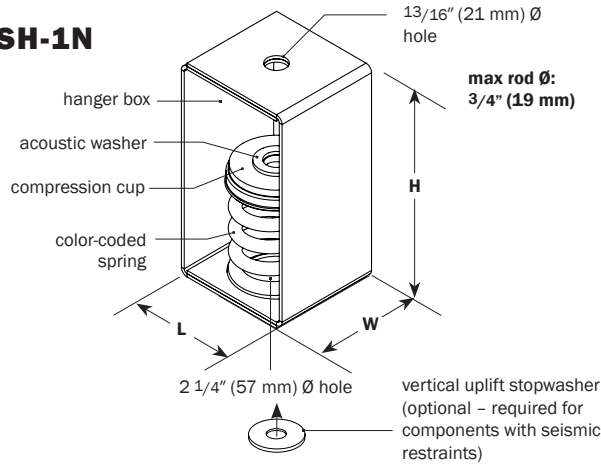
**1" (25 mm) Deflection SH
Spring Hangers**

SH-1

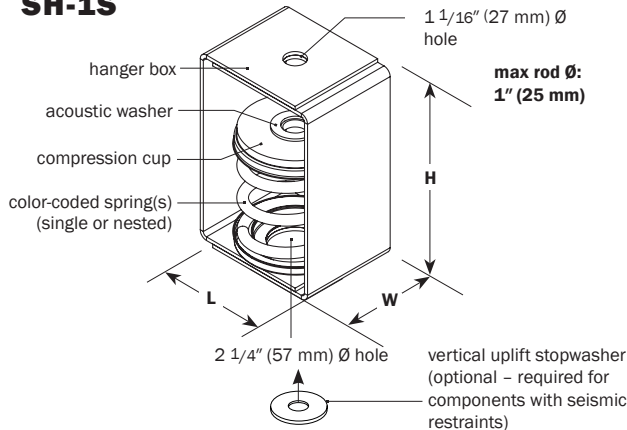
File No.: DS-SH1-010
Supersedes: DS-SH1-009

Date: 24 Feb 2016
Date: 4 Dec 2014

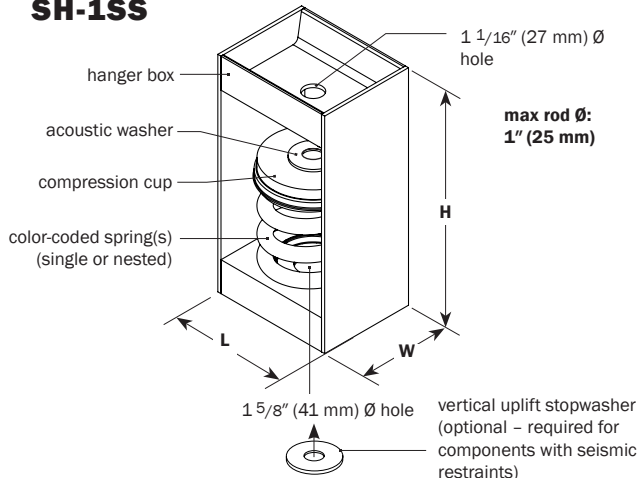
SH-1N



SH-1S



SH-1SS



PERFORMANCE

Model	Spring Color outer-inner	Rated Load lb kN	Deflection at rated load		Isolator Weight †	
			in	mm	lb	kg
SH-1N-50*	Blue	50 0.22	1.0	25	4.9	2.2
SH-1N-100*	White	100 0.44	1.0	25	5.2	2.3
SH-1N-150*	Orange	150 0.67	1.0	25	5.2	2.3
SH-1N-200	Grey	200 0.89	1.0	25	5.4	2.5
SH-1N-300	Black	300 1.33	1.0	25	5.6	2.5
SH-1N-400	Green	400 1.78	1.0	25	5.6	2.5
SH-1N-500	Yellow	500 2.22	1.0	25	5.9	2.7
SH-1N-600	Red	600 2.67	1.0	25	6.0	2.7
SH-1N-800	Blue	800 3.56	1.0	25	6.3	2.8
SH-1S-900	Orange-Green	900 4.00	1.0	25	13.4	6.1
SH-1S-1000	White	1000 4.45	1.0	25	12.6	5.7
SH-1S-1100	White-White	1100 4.89	1.0	25	13.3	6.0
SH-1S-1200	White-Grey	1200 5.34	1.0	25	13.6	6.2
SH-1S-1300	White-Black	1300 5.78	1.0	25	13.7	6.2
SH-1S-1400	White-Green	1400 6.23	1.0	25	13.8	6.2
SH-1S-1500	White-Yellow	1500 6.67	1.0	25	14.1	6.4
SH-1S-1600	White-Red	1600 7.12	1.0	25	14.2	6.4
SH-1S-1800	White-Blue	1800 8.01	1.0	25	14.4	6.5
SH-1SS-2000	Red-Yellow	2000 8.90	1.0	25	22.1	10.0
SH-1SS-2500	Red-Ivory	2500 11.12	1.0	25	23.9	10.9
SH-1SS-3000	Black-Yellow	3000 13.35	1.0	25	24.5	11.1
SH-1SS-3500	Black-Ivory	3500 15.57	1.0	25	24.7	11.2

* for smaller hanger box, see SH-SN † weights are approximate

DIMENSIONS: SH-1N

Model	L	W	H
SH-1N	in mm	in mm	in mm
50-800	4 1/4 108	4 102	8 1/4 210

DIMENSIONS: SH-1S

Model	L	W	H
SH-1S	in mm	in mm	in mm
900-1800	5 1/2 140	4 1/2 114	9 229

DIMENSIONS: SH-1SS

Model	L	W	H
SH-1SS	in mm	in mm	in mm
2000-3500	6 3/4 171	5 102	12 1/4 229

NOTES

- Spring hanger with steel spring and welded steel housing
- For 1N & 1S: Hanger is designed to allow support rod misalignment through a 30-degree arc without contacting the hanger box
- Vertical uplift stopwasher must be added on spring hangers for seismically restrained equipment, duct or piping
- Minimum 50% additional travel to solid
- Springs and housing powder coated for SH-1N & 1S
- Compression cups are zinc plated or powder coated
- SH-1SS housing is enamel painted

Project:	plan view of hanger locations		1:	6:
Customer:	□ □ □ □ □		2:	7:
Consultant:	□ □ □ □ □		3:	8:
Dwg No.:	Rev:	Drawn by:	4:	9:
V-A Project Manager:	□ □ □ □ □		5:	10:
TAG:	EQUIPMENT:		QTY of sets required:	
COMMENTS:				DATE: