

tel: 416-291-7371 1-800-565-8401  
fax: 416-291-8049 1-888-811-2264

web: www.vibro-acoustics.com  
eml: info@vibro-acoustics.com

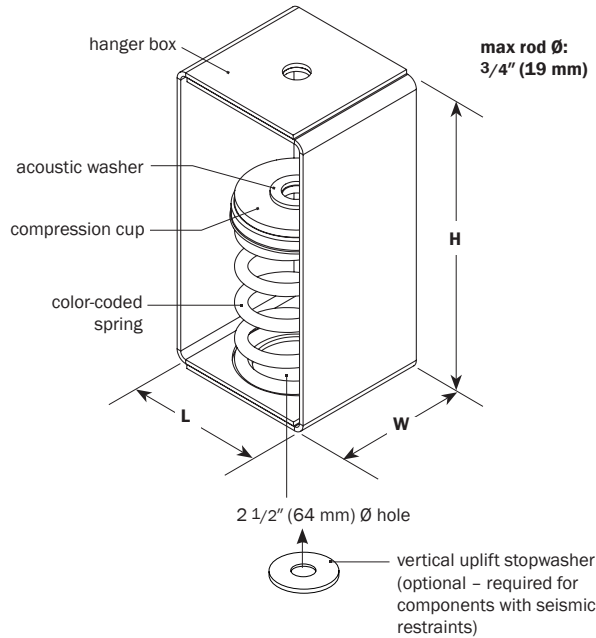
**2" (51 mm) Deflection SH  
Spring Hangers**

**SH-2**

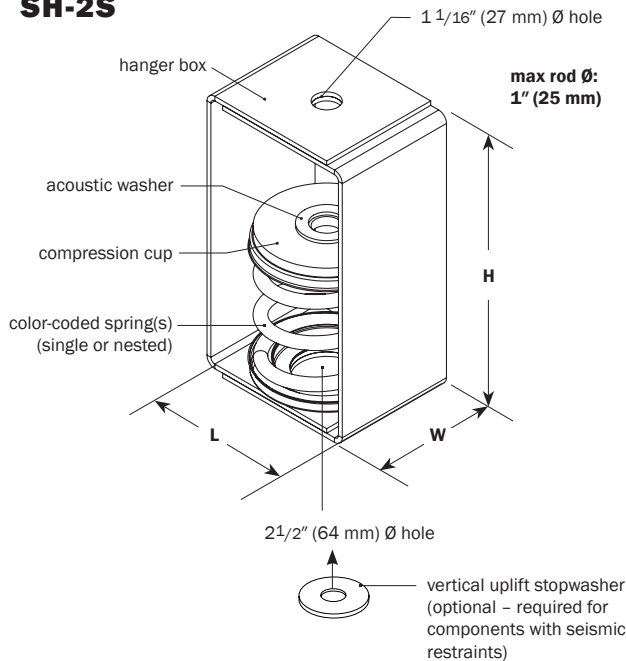
File No.: DS-SH2-009  
Supersedes: DS-SH2-008

Date: 24 Feb 2016  
Date: 16 Jun 2015

**SH-2N**



**SH-2S**



**PERFORMANCE**

Model	Spring Color	Rated Load		Deflection at rated load		Isolator Weight †	
		lb	kN	in	mm	lb	kg
SH-2N-50	Red	50	0.22	2.0	51	7.2	3.3
SH-2N-100	White	100	0.44	2.0	51	7.3	3.3
SH-2N-200	Orange	200	0.89	2.0	51	7.9	3.6
SH-2N-300	Green	300	1.33	2.1	53	7.9	3.6
SH-2N-400	Grey	400	1.78	2.0	51	8.1	3.7
SH-2N-500	Yellow	500	2.22	2.1	53	8.3	3.7
SH-2N-600	Blue	600	2.67	2.0	51	8.7	4.0
SH-2N-800	Black	800	3.56	2.1	53	8.4	3.8
SH-2N-1000	Ivory	1000	4.45	2.0	51	8.8	4.0
SH-2S-800	Green	800	3.56	2.0	51	16.5	7.5
SH-2S-900	Green-White	900	4.00	2.0	51	17.2	7.8
SH-2S-1000	Green-Orange	1000	4.45	2.0	51	17.8	8.1
SH-2S-1100	Green-Green	1100	4.89	2.0	51	17.8	8.1
SH-2S-1200	Green-Grey	1200	5.34	2.0	51	18.1	8.2
SH-2S-1300	Green-Yellow	1300	5.78	2.0	51	18.2	8.3
SH-2S-1400	Green-Blue	1400	6.23	2.0	51	18.7	8.5
SH-2S-1600	Green-Black	1600	7.12	2.1	53	18.3	8.3
SH-2S-1800	Green-Ivory	1800	8.01	2.0	51	18.7	8.5

† weights are approximate

**DIMENSIONS: SH-2N**

Model	L	W	H
SH-2N	in mm	in mm	in mm
50-1000	5 127	4 102	10 1/4 260

**DIMENSIONS: SH-2S**

Model	L	W	H
SH-2S	in mm	in mm	in mm
800-1800	6 1/2 165	5 127	11 1/2 292

**NOTES**

- Spring hanger with steel spring and welded steel housing
- Hanger is designed to allow support rod misalignment through a 30-degree arc without contacting the hanger box
- Vertical uplift stopwasher must be added on spring hangers for seismically restrained equipment, duct or piping
- Minimum 50% additional travel to solid
- Springs and housings are powder coated
- Compression cups are zinc plated or powder coated
- Higher capacities are available. Contact Vibro-Acoustics for more information.

Project:			plan view of hanger locations		1:	6:
Customer:					2:	7:
Consultant:					3:	8:
Dwg No.:	Rev:	Drawn by:			4:	9:
V-A Project Manager:			5:	10:	QTY of sets required:	
TAG:			EQUIPMENT:			
COMMENTS:					DATE:	