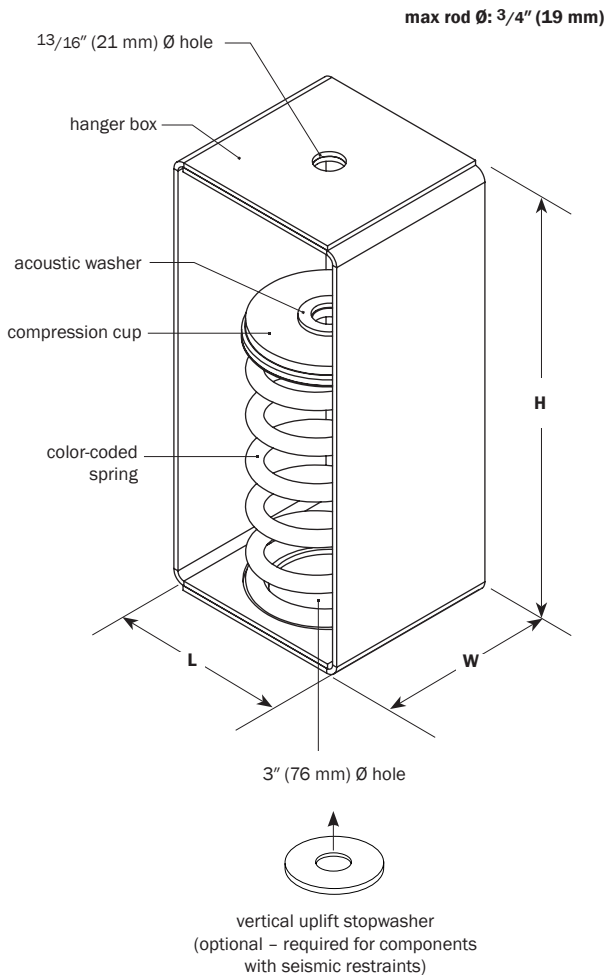


tel: 416-291-7371 1-800-565-8401
fax: 416-291-8049 1-888-811-2264

web: www.vibro-acoustics.com
eml: info@vibro-acoustics.com

File No.: DS-SH3-007
Supersedes: DS-SH3-006

Date: 24 Feb 2016
Date: 28 Feb 2014



PERFORMANCE

Model	Spring Color	Rated Load		Deflection at rated load		Isolator Weight †	
		lb	kN	in	mm	lb	kg
SH-3N-100	White	100	0.44	3.0	76	10.2	4.6
SH-3N-200	Yellow	200	0.89	3.0	76	10.4	4.7
SH-3N-400	Red	400	1.78	3.0	76	10.7	4.9
SH-3N-700	Blue	700	3.11	3.0	76	11.1	5.0

† weights are approximate

DIMENSIONS

Model	L	W	H
SH-3N	in mm	in mm	in mm
100-700	5 1/2 140	5 127	12 1/2 318

NOTES

- Spring hanger with steel spring and welded steel housing
- Hanger is designed to allow support rod misalignment through a 30-degree arc without contacting the hanger box.
- Vertical uplift stopwasher must be added on spring hangers for seismically restrained equipment, duct or piping
- Minimum 50% additional travel to solid
- Springs, compression cups and housings are powder coated
- Higher capacities are available. Contact Vibro-Acoustics for more information.

Project:			plan view of hanger locations		1:	6:
Customer:					2:	7:
Consultant:					3:	8:
Dwg No.:	Rev:	Drawn by:			4:	9:
V-A Project Manager:					5:	10:
TAG:			EQUIPMENT:		QTY of sets required:	
COMMENTS:					DATE:	