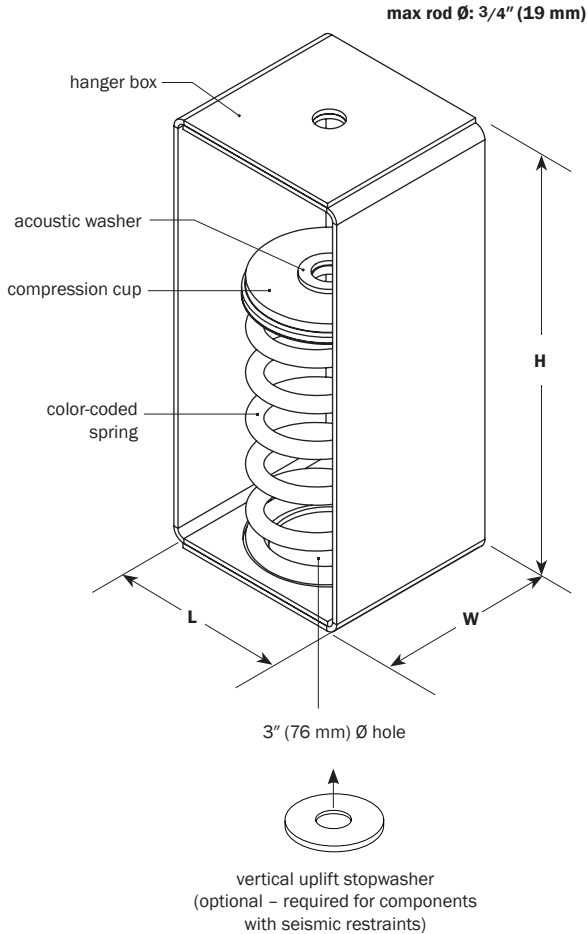


tel: 416-291-7371 1-800-565-8401
fax: 416-291-8049 1-888-811-2264

web: www.vibro-acoustics.com
eml: info@vibro-acoustics.com

File No.: DS-SH4-001
Supersedes: New

Date: 14 Oct 2016
Date: New



PERFORMANCE

Model	Spring Color	Rated Load		Deflection at rated load		Isolator Weight †	
		lb	kN	in	mm	lb	kg
SH-4N-200	Blue	200	0.89	4.0	102	10.7	4.9
SH-4N-400	Red	400	1.78	4.0	102	10.9	5.0
SH-4N-600	White	600	2.67	4.0	102	11.2	5.1

† weights are approximate

DIMENSIONS

Model	L		W		H	
	in	mm	in	mm	in	mm
SH-4N						
200-600	5 1/2	140	5	127	12 1/2	318

NOTES

- Spring hanger with steel spring and welded steel housing
- Hanger is designed to allow support rod misalignment through a 30-degree arc without contacting the hanger box.
- Vertical uplift stopwasher must be added on spring hangers for seismically restrained equipment, duct or piping
- Minimum 50% additional travel to solid
- Springs, compression cups and housings are powder coated
- Higher capacities are available. Contact Vibro-Acoustics for more information.

Project:			plan view of hanger locations 				1:		6:	
Customer:							2:		7:	
Consultant:			3:		8:					
Dwg No.:		Rev:	4:		9:					
V-A Project Manager:			5:		10:					
TAG:			EQUIPMENT:							
COMMENTS:							QTY of sets required:			
							DATE:			