

tel: 416-291-7371 1-800-565-8401  
fax: 416-291-8049 1-888-811-2264

web: www.vibro-acoustics.com  
eml: info@vibro-acoustics.com

**2" (51 mm) Deflection SHB  
Spring Hanger with Bottom Cup**

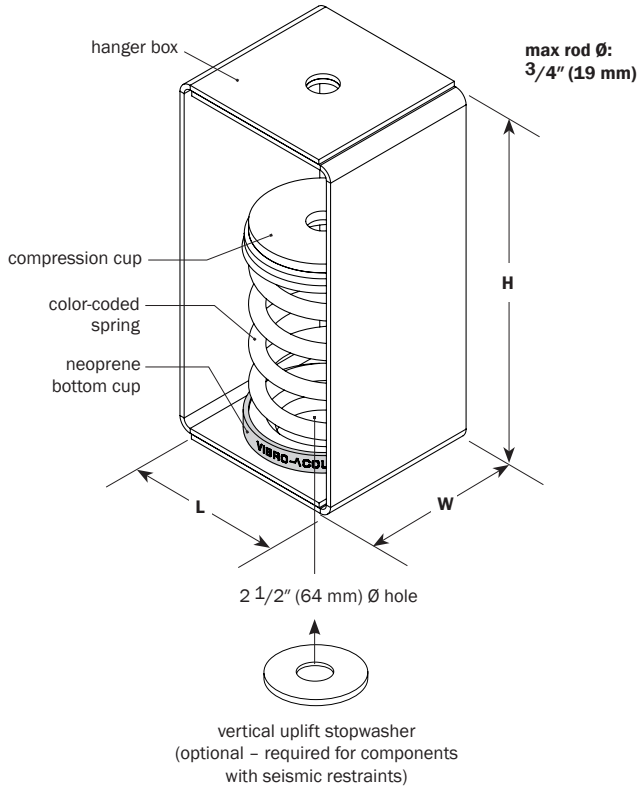
**SHB-2**

File No.: DS-SHB2-005

Date: 24 Feb 2016

Supersedes: DS-SHB2-004

Date: 16 Jun 2015



**PERFORMANCE**

Model	Spring Color	Rated Load		Deflection at rated load		Isolator Weight †	
		lb	kN	in	mm	lb	kg
SHB-2N-50	Red	50	0.22	2.0	51	7.2	3.3
SHB-2N-100	White	100	0.44	2.0	51	7.3	3.3
SHB-2N-200	Orange	200	0.89	2.0	51	7.9	3.6
SHB-2N-300	Green	300	1.33	2.1	53	7.9	3.6
SHB-2N-400	Grey	400	1.78	2.0	51	8.1	3.7
SHB-2N-500	Yellow	500	2.22	2.1	53	8.3	3.7
SHB-2N-600	Blue	600	2.67	2.0	51	8.7	4.0
SHB-2N-800	Black	800	3.56	2.1	53	8.4	3.8
SHB-2N-1000	Ivory	1000	4.45	2.0	51	8.8	4.0

† weights are approximate

**DIMENSIONS: SHB-2N**

Model	L	W	H
SHB-2N	in	mm	in
50-1000	5	127	4
			10 1/4
			260

**NOTES**

- Spring hanger with steel spring in a welded steel housing
- Spring sits in a molded neoprene cup which includes a sleeve through the bottom hole
- Hanger is designed to allow support rod misalignment through a 30-degree arc without contacting the hanger box
- Vertical uplift stopwasher must be added on spring hangers for seismically restrained equipment, duct or piping
- Minimum 50% additional travel to solid
- Spring and housing are powder coated
- Compression cup is zinc plated
- All elements are safe at solid loading

Project:			plan view of hanger locations 		1:	6:
Customer:					2:	7:
Consultant:					3:	8:
Dwg No.:					4:	9:
Rev:	Drawn by:		5:	10:	QTY of sets required:	
V-A Project Manager:			EQUIPMENT:			
TAG:			DATE:			
COMMENTS:						