

tel: 416-291-7371 1-800-565-8401
fax: 416-291-8049 1-888-811-2264

web: www.vibro-acoustics.com
eml: info@vibro-acoustics.com

**2" (51 mm) Deflection SHR
Spring Hangers with Neoprene**

SHR-2

File No.: DS-SHR2-012

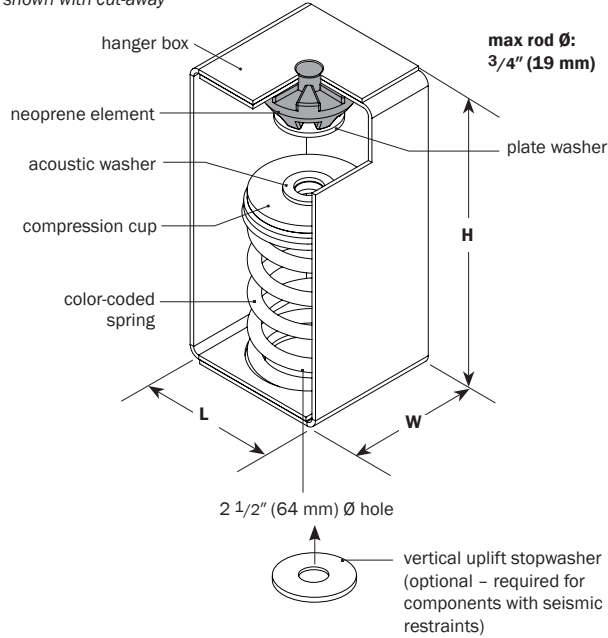
Date: 06 May 2016

Supersedes: DS-SHR2-011

Date: 24 Feb 2016

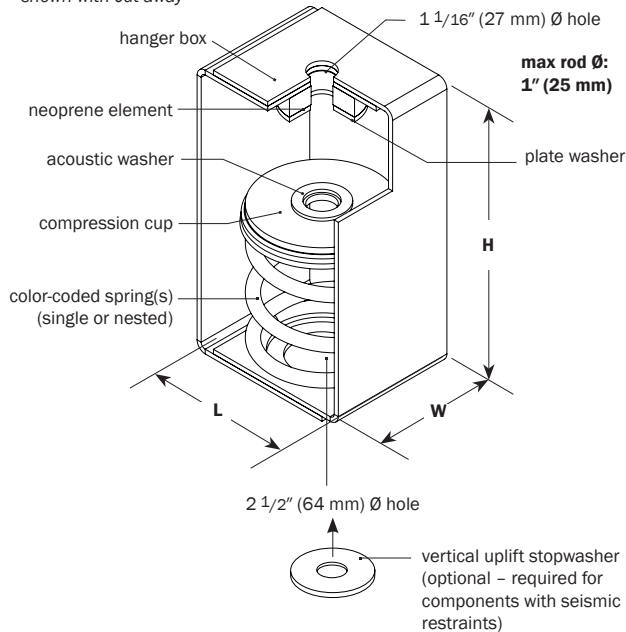
SHR-2N

shown with cut-away



SHR-2S

shown with cut-away



PERFORMANCE

Model	Spring Color outer-inner	Element Color	Rated Load		Deflection at rated load		Isolator Weight †	
			lb	kN	in	mm	lb	kg
SHR-2N-50	Red	Green	50	0.22	2.0	51	7.8	3.5
SHR-2N-100	White	Green	100	0.44	2.0	51	7.9	3.6
SHR-2N-200	Orange	Green	200	0.89	2.0	51	8.5	3.9
SHR-2N-300	Green	Green	300	1.33	2.1	53	8.5	3.9
SHR-2N-400	Grey	Red	400	1.78	2.0	51	8.7	4.0
SHR-2N-500	Yellow	Black	500	2.22	2.1	53	8.9	4.0
SHR-2N-600	Blue	Blue	600	2.67	2.0	51	9.4	4.3
SHR-2N-800	Black	Blue	800	3.56	2.1	53	9.0	4.1
SHR-2N-1000	Ivory	Yellow	1000	4.45	2.0	51	9.4	4.3
SHR-2S-800	Green	Green	800	3.56	2.0	51	17.1	7.8
SHR-2S-900	Green-White	Green	900	4.00	2.0	51	17.8	8.1
SHR-2S-1000	Green-Orange	Green	1000	4.45	2.0	51	18.4	8.4
SHR-2S-1100	Green-Green	Green	1100	4.89	2.0	51	18.4	8.4
SHR-2S-1200	Green-Grey	Green	1200	5.34	2.0	51	18.7	8.5
SHR-2S-1300	Green-Yellow	Green	1300	5.78	2.0	51	18.8	8.5
SHR-2S-1400	Green-Blue	Green	1400	6.23	2.0	51	19.3	8.8
SHR-2S-1600	Green-Black	Green	1600	7.12	2.1	53	18.9	8.6
SHR-2S-1800	Green-Ivory	Green	1800	8.01	2.0	51	19.3	8.8

† weights are approximate

DIMENSIONS: SHR-2N

Model	L		W		H	
	in	mm	in	mm	in	mm
SHR-2N						
50-1000	5	127	4	102	10 1/4	260

DIMENSIONS: SHR-2S

Model	L		W		H	
	in	mm	in	mm	in	mm
SHR-2S						
800-1800	6 1/2	165	5	127	11 1/2	292

NOTES

- Spring hanger with steel spring and welded steel housing
- Hanger is designed to allow support rod misalignment through a 30-degree arc without contacting the hanger box
- Vertical uplift stopwasher must be added on spring hangers for seismically restrained equipment, duct or piping
- Minimum 50% additional travel to solid
- Springs, compression cups and housings are powder coated

Project:			plan view of hanger locations 				1:		6:	
Customer:							2:		7:	
Consultant:							3:		8:	
Dwg No.:							4:		9:	
Rev:			5:		10:		QTY of sets required:			
Drawn by:			EQUIPMENT:							
V-A Project Manager:			DATE:							
TAG:										
COMMENTS:										