

tel: 416-291-7371 1-800-565-8401  
fax: 416-291-8049 1-888-811-2264

web: www.vibro-acoustics.com  
eml: info@vibro-acoustics.com

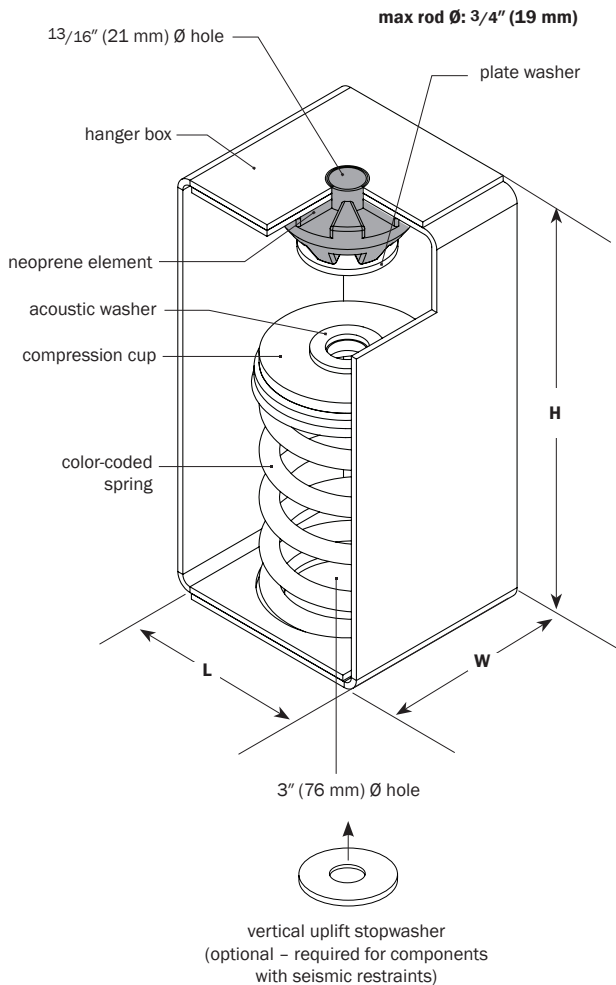
File No.: DS-SHR3-008

Date: 24 Feb 2016

Supersedes: DS-SHR3-007

Date: 04 Jan 2016

Model shown with cut-away



**PERFORMANCE**

Model	Spring Color	Element Color	Rated Load		Deflection at rated load		Isolator Weight †	
			lb	kN	in	mm	lb	kg
SHR-3N-100	White	Green	100	0.44	3.0	76	10.8	4.9
SHR-3N-200	Yellow	Green	200	0.89	3.0	76	11.0	5.0
SHR-3N-400	Red	Red	400	1.78	3.0	76	11.3	5.1
SHR-3N-700	Blue	Blue	700	3.11	3.0	76	11.8	5.3

† weights are approximate

**DIMENSIONS**

Model	L		W		H	
SHR-3N	in	mm	in	mm	in	mm
100-700	5 1/2	140	5	127	12 1/2	318

**NOTES**

- Spring hanger with steel spring and welded steel housing
- Hanger is designed to allow support rod misalignment through a 30-degree arc without contacting the hanger box
- Vertical uplift stopwasher must be added on spring hangers for seismically restrained equipment, duct or piping
- Minimum 50% additional travel to solid
- Springs, compression cups and housings are powder coated

Project:			plan view of hanger locations		1:	6:
Customer:					2:	7:
Consultant:					3:	8:
Dwg No.:	Rev:	Drawn by:			4:	9:
V-A Project Manager:					5:	10:
TAG:			EQUIPMENT:			QTY of sets required:
COMMENTS:			DATE:			