

tel: 416-291-7371 1-800-565-8401
fax: 416-291-8049 1-888-811-2264

web: www.vibro-acoustics.com
eml: info@vibro-acoustics.com

**1" (25 mm) Deflection SHRB
Spring Hanger with Neoprene
and Bottom Cup**

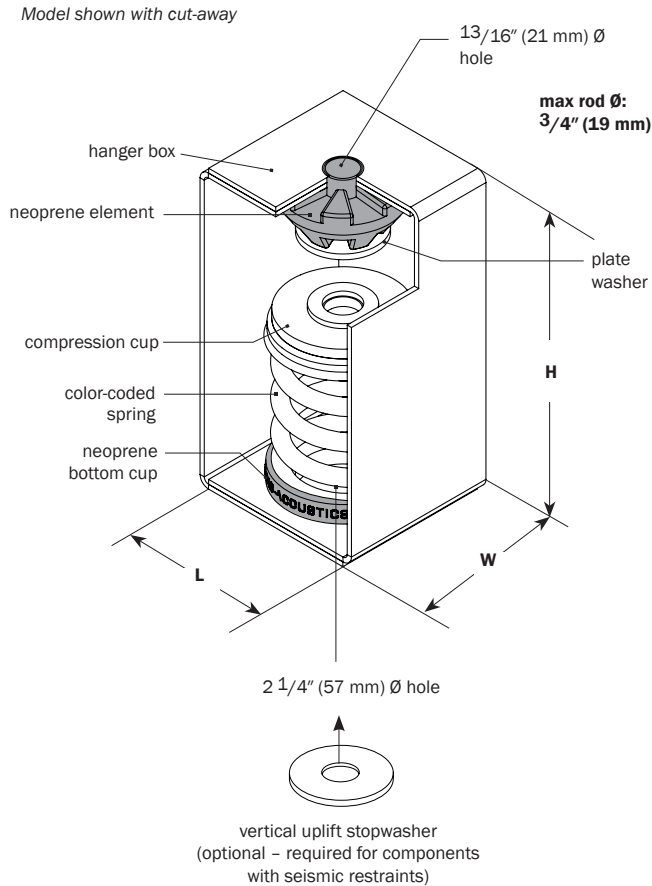
SHRB-1

File No.: DS-SHRB1-006

Date: 24 Feb 2016

Supersedes: DS-SHRB1-005

Date: 04 Jan 2016



PERFORMANCE

Model	Spring Color	Element Color	Rated Load		Deflection at rated load		Isolator Weight †	
			lb	kN	in	mm	lb	kg
SHRB-1N-50*	Blue	Green	50	0.22	1.0	25	5.5	2.5
SHRB-1N-100*	White	Green	100	0.44	1.0	25	5.8	2.6
SHRB-1N-150*	Orange	Green	150	0.67	1.0	25	5.7	2.6
SHRB-1N-200*	Grey	Green	200	0.89	1.0	25	6.0	2.7
SHRB-1N-300	Black	Green	300	1.33	1.0	25	6.2	2.8
SHRB-1N-400	Green	Red	400	1.78	1.0	25	6.2	2.8
SHRB-1N-500	Yellow	Black	500	2.22	1.0	25	6.6	3.0
SHRB-1N-600	Red	Blue	600	2.67	1.0	25	6.7	3.0
SHRB-1N-800	Blue	Blue	800	3.56	1.0	25	6.9	3.1

* for smaller hanger box, see SHRB-SN † weights are approximate

DIMENSIONS: SHRB-1N

Model	L	W	H
SHRB-1N	in mm	in mm	in mm
50-800	4 1/4 108	4 102	8 1/4 210

NOTES

- Spring hanger with steel spring and neoprene element in series in a welded steel housing
- Spring sits in a molded neoprene cup which includes a sleeve through the bottom hole
- Hanger is designed to allow support rod misalignment through a 30-degree arc without contacting the hanger box
- Vertical uplift stopwasher must be added on spring hangers for seismically restrained equipment, duct or piping
- Minimum 50% additional travel to solid
- Spring and housing are powder coated, hardware is zinc-plated
- All elements are safe at solid loading

Project:			plan view of hanger locations		1:	6:
Customer:					2:	7:
Consultant:					3:	8:
Dwg No.:	Rev:	Drawn by:			4:	9:
V-A Project Manager:					5:	10:
TAG:			EQUIPMENT:			QTY of sets required:
COMMENTS:			DATE:			