

**1" (25 mm) Deflection SHRB
Spring Hanger with Neoprene
and Bottom Cup**

SHRB-SN

tel: 416-291-7371 1-800-565-8401
fax: 416-291-8049 1-888-811-2264

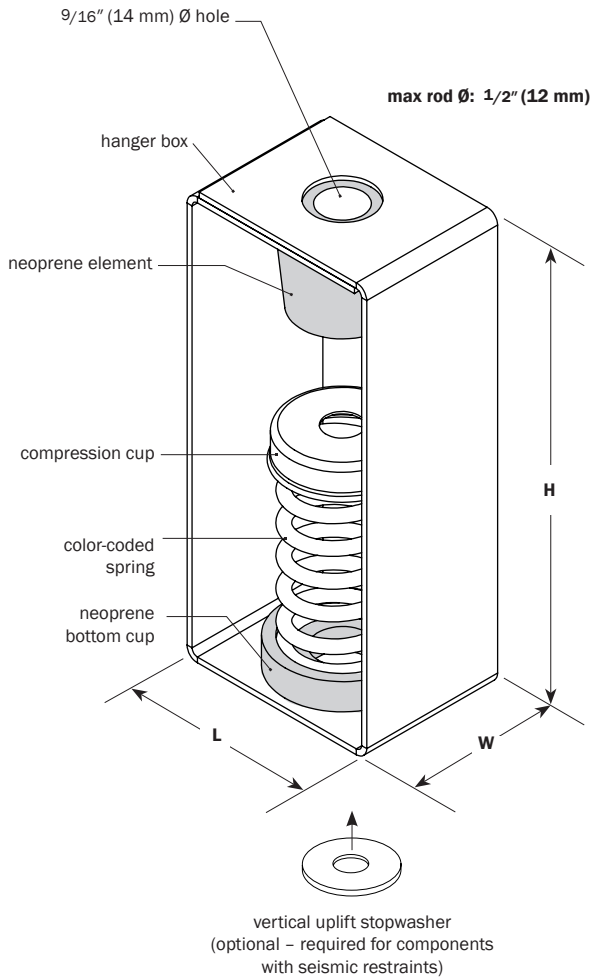
web: www.vibro-acoustics.com
eml: info@vibro-acoustics.com

File No.: DS-SHRBSN-006

Date: 24 Feb 2016

Supersedes: DS-SHRBSN-005

Date: 28 Feb 2014



PERFORMANCE

Model	Spring Color	Element Color	Rated Load		Spring Deflection at rated load		Isolator Weight †	
			lb	kN	in	mm	lb	kg
SHRB-SN-15	White	Orange	15	0.07	1.0	25	1.0	0.5
SHRB-SN-30	Yellow	Orange	30	0.13	1.0	25	1.0	0.5
SHRB-SN-45	Orange	Blue	45	0.20	1.0	25	1.1	0.5
SHRB-SN-60	Red	Blue	60	0.27	1.0	25	1.1	0.5
SHRB-SN-100	Blue	Green	100	0.44	1.0	25	1.1	0.5
SHRB-SN-150	Black	Red	150	0.67	1.0	25	1.1	0.5
SHRB-SN-200	Grey	Black	200	0.90	1.0	25	1.2	0.5

† weights are approximate

DIMENSIONS

Model	L		W		H	
SHRB-SN	in	mm	in	mm	in	mm
15-200	2 3/4	70	2	51	6 1/4	152

NOTES

- Spring hanger with steel spring and neoprene element in a welded steel housing
- Spring sits in a molded neoprene cup which includes a sleeve through the bottom hole
- Minimum 50% additional travel to solid
- Springs are powder coated, housings and compression cups are galvanized

Project:			plan view of hanger locations 		1:	6:
Customer:					2:	7:
Consultant:					3:	8:
Dwg No.:	Rev:	Drawn by:			4:	9:
V-A Project Manager:			5:	10:	QTY of sets required:	
TAG:			EQUIPMENT:			
COMMENTS:					DATE:	