

**1" (25 mm) Deflection SHR  
Spring Hangers with  
Neoprene**

**SHR-SN**

tel: 416-291-7371 1-800-565-8401  
fax: 416-291-8049 1-888-811-2264

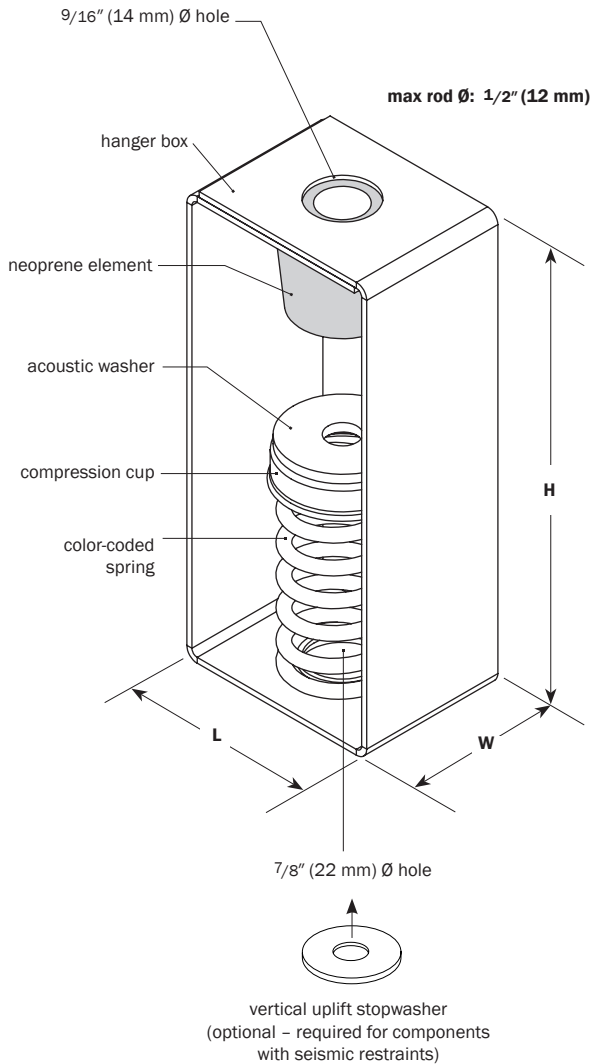
web: www.vibro-acoustics.com  
eml: info@vibro-acoustics.com

File No.: DS-SHRSN-007

Date: 28 Feb 2014

Supersedes: DS-SHRSN-006

Date: 16 Sep 2011



**PERFORMANCE**

Model	Spring Color	Element Color	Rated Load		Deflection at rated load		Isolator Weight †	
			lb	kN	in	mm	lb	kg
SHR-SN-15	White	Orange	15	0.07	1.0	25	1.0	0.4
SHR-SN-30	Yellow	Orange	30	0.13	1.0	25	1.0	0.4
SHR-SN-45	Orange	Blue	45	0.20	1.0	25	1.0	0.5
SHR-SN-60	Red	Blue	60	0.27	1.0	25	1.0	0.5
SHR-SN-100	Blue	Green	100	0.44	1.0	25	1.1	0.5
SHR-SN-150	Black	Red	150	0.67	1.0	25	1.1	0.5
SHR-SN-200	Grey	Black	200	0.90	1.0	25	1.2	0.5

for additional loads, see SHR-1 † weights are approximate

**DIMENSIONS**

Model	L		W		H	
	in	mm	in	mm	in	mm
SHR-SN	2 3/4	70	2	51	6 1/4	152

**NOTES**

- Spring hanger with steel spring and neoprene element in a welded steel housing
- Vertical uplift stopwasher must be added on spring hangers for seismically restrained equipment, duct or piping
- Minimum 50% addition travel to solid
- Springs are powder coated, housings and cups are galvanized

Project:			plan view of hanger locations		1:	6:
Customer:					2:	7:
Consultant:					3:	8:
Dwg No.:	Rev:	Drawn by:			4:	9:
V-A Project Manager:					5:	10:
TAG:			EQUIPMENT:			QTY of sets required:
COMMENTS:			DATE:			