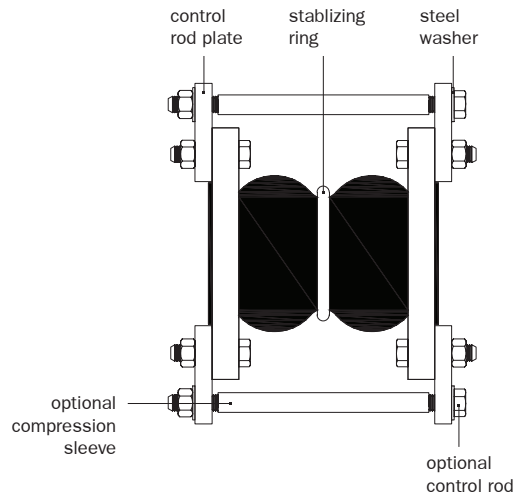
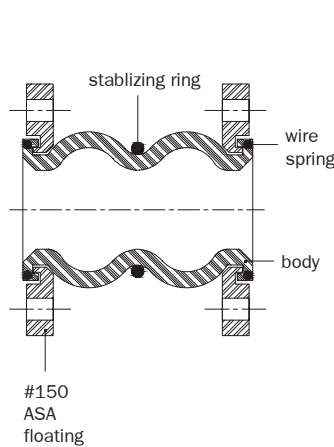


tel: 416-291-7371 1-800-565-8401
fax: 416-291-8049 1-888-811-2264

web: www.vibro-acoustics.com
eml: info@vibro-acoustics.com

File No.: EJEJN-2-001
Supersedes: New

Date: 30 Oct 2014
Date: New



PERFORMANCE AND DIMENSIONS

Model	Body Constr.	Nominal Size		"L" Length Face to Face		Deflections				Working Pressure		Max. Temp. °F
		in	mm	in	mm	Lateral in	Axial Ext. in	Axial Comp. in	Angular deg	w/o control rod psi	w/ control rod * psi	
EJE2-1.50	EPDM	1.5	40	7	178	±1 3/4	1 1/8	2	45	179	225	250
EJE2-2	EPDM	2	50	7	178	±1 3/4	1 1/8	2	45	179	225	250
EJE2-2.50	EPDM	2.5	65	7	178	±1 3/4	1 1/8	2	43	179	225	250
EJE2-3	EPDM	3	80	7	178	±1 3/4	1 1/8	2	38	179	225	250
EJE2-4	EPDM	4	100	9	229	±1 1/2	1 3/8	2	34	179	225	250
EJE2-5	EPDM	5	125	9	229	±1 1/2	1 3/8	2	29	134	225	250
EJE2-6	EPDM	6	150	9	229	±1 1/2	1 3/8	2	25	134	225	250
EJE2-8	EPDM	8	200	13	330	±1 3/8	1 3/8	2 3/8	19	134	225	250
EJE2-10	EPDM	10	250	13	330	±1 3/8	1 3/8	2 3/8	15	134	225	250
EJE2-12	EPDM	12	300	13	330	±1 3/8	1 3/8	2 3/8	13	89	225	250
EJE2-14	EPDM	14	350	13 3/4	349	±1 1/8	1 1/8	1 3/4	9	89	150	250
EJE2-16	EPDM	16	400	13 3/4	349	±1 1/8	1 1/8	1 3/4	8	44	125	250
EJN2-1.50	Neoprene	1.5	40	7	178	±1 3/4	1 1/8	2	45	134	225	230
EJN2-2	Neoprene	2	50	7	178	±1 3/4	1 1/8	2	45	134	225	230
EJN2-2.50	Neoprene	2.5	65	7	178	±1 3/4	1 1/8	2	43	134	225	230
EJN2-3	Neoprene	3	80	7	178	±1 3/4	1 1/8	2	38	134	225	230
EJN2-4	Neoprene	4	100	9	229	±1 1/2	1 3/8	2	34	134	225	230
EJN2-5	Neoprene	5	125	9	229	±1 1/2	1 3/8	2	29	134	225	230
EJN2-6	Neoprene	6	150	9	229	±1 1/2	1 3/8	2	25	134	225	230
EJN2-8	Neoprene	8	200	13	330	±1 3/8	1 3/8	2 3/8	19	134	225	230
EJN2-10	Neoprene	10	250	13	330	±1 3/8	1 3/8	2 3/8	15	134	225	230
EJN2-12	Neoprene	12	300	13	330	±1 3/8	1 3/8	2 3/8	13	89	225	230
EJN2-14	Neoprene	14	350	13 3/4	349	±1 1/8	1 1/8	1 3/4	9	89	150	230
EJN2-16	Neoprene	16	400	13 3/4	349	±1 1/8	1 1/8	1 3/4	8	44	125	230

NOTES

- Maximum negative pressure is 26" HG vacuum
 - Temperature range: 20°F – 300°F
 - Listed movements cannot occur simultaneously
 - 3:1 safety factor (burst to operating pressure)
 - Contact factory for stainless steel #150 and carbon steel #300 flanges
 - Contact factory for other elastomer requirements for molded body construction
 - Metal reinforcement can be provided to accommodate extreme piping system stress
- * Control rods are used for achieving these pressure ratings. Control rods are also required for unanchored systems. Suffix "-CR" is added to the model names for control rod, i.e: EJN2-12-CR

Project:	Model:	QTY of sets required:	
Customer:	DWN:	CHK:	REV: DATE:
Consultant:	TAG:	UNIT:	
V-A Project No.:	COMMENTS:		
V-A Project Manager:			