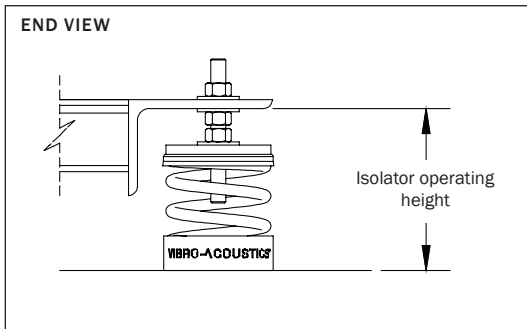
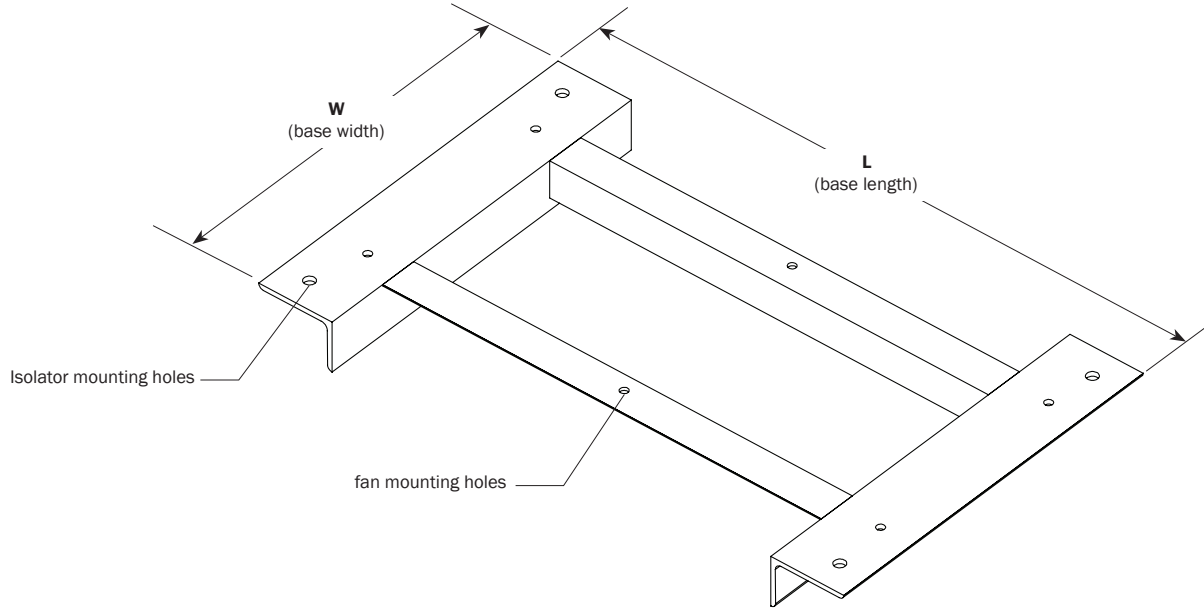


tel: 416-291-7371 1-800-565-8401  
fax: 416-291-8049 1-888-811-2264

web: www.vibro-acoustics.com  
eml: info@vibro-acoustics.com

File No.: DS-IFB-001  
Supersedes: New

Date: 17 May 2013  
Date: New



IFB base shown with FS type isolator. Other types may be used.

- STANDARD OPTIONS (not shown in diagram)**
- Motor slide rail support
  - Special finish
    - Hot-dip galvanized
    - Epoxy paint
    - Enamel paint

Equipment			Base Dimensions and Weight			Isolation	
Manufacturer	Model	Operating Weight (lb)	L (in)	W (in)	Base Weight (lb)	Isolator Nominal Deflection (in)	Total Operating Weight (lb)

Project:			plan view of mount locations 		1:	6:	
Customer:					2:	7:	
Consultant:					3:	8:	
Dwg No.:	Rev:	Drawn by:			4:	9:	
V-A Project Manager:			5:	10:	QTY of sets required:		
TAG:			EQUIPMENT:				
COMMENTS:						DATE:	