

tel: 416-291-7371 1-800-565-8401
fax: 416-291-8049 1-888-811-2264

web: www.vibro-acoustics.com
eml: info@vibro-acoustics.com

File No.: DS-LCIB-002
Supersedes: DS-LCIB-001

Date: 26 Sep 2013
Date: 17 May 2013

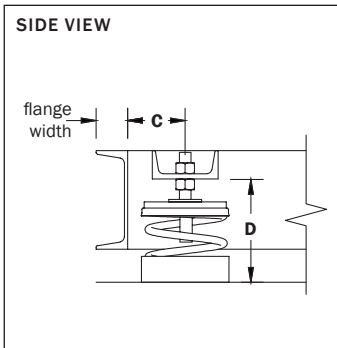
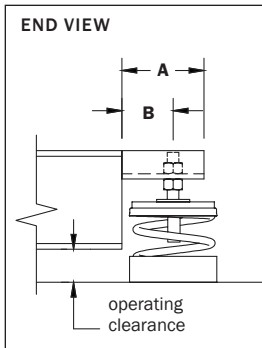
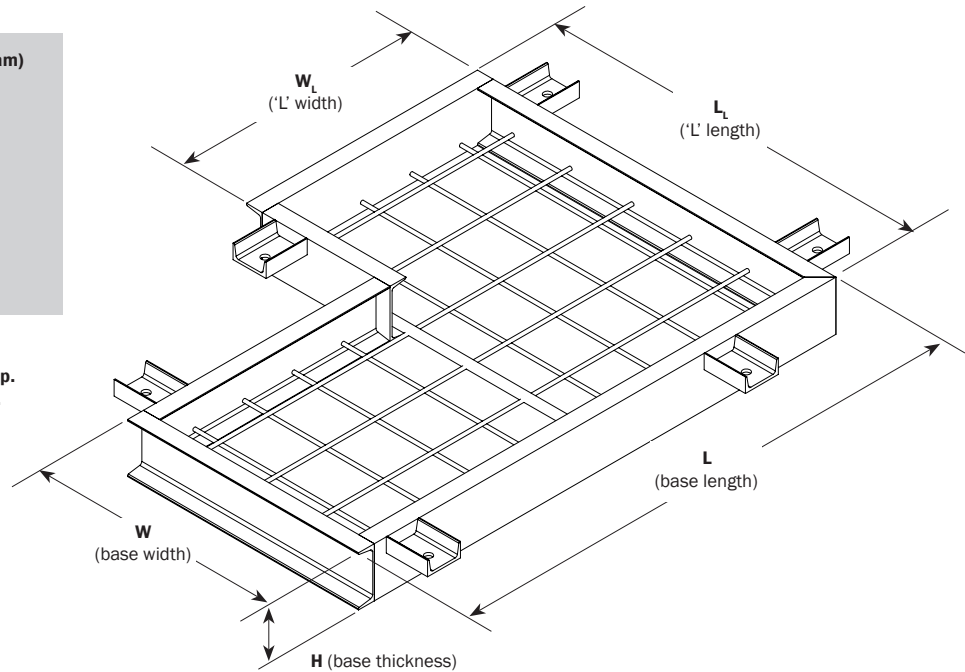
STANDARD OPTIONS (not shown in diagram)

- Motor slide rail support
- Equipment bolting template
- 18 GA bottom liner
- Special finish
 - Hot-dip galvanized
 - Epoxy paint
 - Enamel paint

L-Shaped base shown for left-hand rotation pump.
The right-hand rotation bases are also available.

| Base Thickness | Flange Width |
|----------------|--------------|
| in (mm) | in (mm) |
| 6" (152) | 1 7/8 (48) |
| 8" (203) | 2 1/4 (57) |
| 10" (254) | 2 5/8 (67) |
| 12" (305) | 3 (76) |

Custom base thicknesses available upon request



Corner bracket shown with FS isolator. See the table on the right for standard dimensions for different isolators.

| Isolator | Base Thickness (inches) | DIMENSIONS | | | | |
|----------|-------------------------|-----------------------------|-------------|-------------|------------|-------------|
| | | Operating Clearance in (mm) | A in (mm) | B in (mm) | C in (mm) | D in (mm) |
| FS-SA | 6", 8", 10", 12" | 1 1/2 (38) | 3 1/2 (89) | 2 1/8 (54) | 3 (76) | 5 (127) |
| FS-1A | 6" | 2 (51) | 5 1/2 (140) | 3 5/8 (92) | 3 1/2 (89) | 6 1/4 (159) |
| | 8", 10", 12" | 1 1/2 (38) | | | | 6 1/2 (165) |
| FS-2A | 6" | 2 (51) | 5 1/2 (140) | 3 5/8 (92) | 3 1/2 (89) | 8 (203) |
| | 8", 10", 12" | | | | | 7 7/8 (200) |
| FS-3A | 6", 8" | 3 (76) | 5 1/2 (140) | 3 5/8 (92) | 3 1/2 (89) | 9 (229) |
| | 10", 12" | | | | | 9 3/4 (248) |
| SFS-2N | 6", 8", 10", 12" | 2 1/2 (64) | 5 1/2 (140) | 3 5/8 (92) | 3 1/2 (89) | 8 1/2 (216) |
| SFS-SA | 6", 8", 10", 12" | 2 (51) | 3 1/2 (89) | 2 1/8 (54) | 3 (76) | 6 1/2 (165) |
| SFS-1A | 8", 10", 12" | 2 1/2 (64) | 7 1/4 (184) | 5 3/8 (136) | 5 (127) | 8 3/4 (222) |
| SFS-2A | | | | | | |

| Equipment | | | Base Dimensions and Weight | | | | Isolation | |
|--------------|-------|-----------------------|----------------------------|---------------------|--------|------------------|----------------------------------|-----------------------------|
| Manufacturer | Model | Operating Weight (lb) | L (in) | W (in) | H (in) | Base Weight (lb) | Isolator Nominal Deflection (in) | Total Operating Weight (lb) |
| | | | | | | | | |
| | | | L _L (in) | W _L (in) | | | | |

| | | | | |
|----------------------|------------------------------|-----------|-----------------------|-------|
| Project: | plan view of mount locations | | 1: | 6: |
| Customer: | | | 2: | 7: |
| Consultant: | | | 3: | 8: |
| Dwg No.: | Rev: | Drawn by: | 4: | 9: |
| V-A Project Manager: | | | 5: | 10: |
| TAG: | EQUIPMENT: | | QTY of sets required: | |
| COMMENTS: | | | | DATE: |