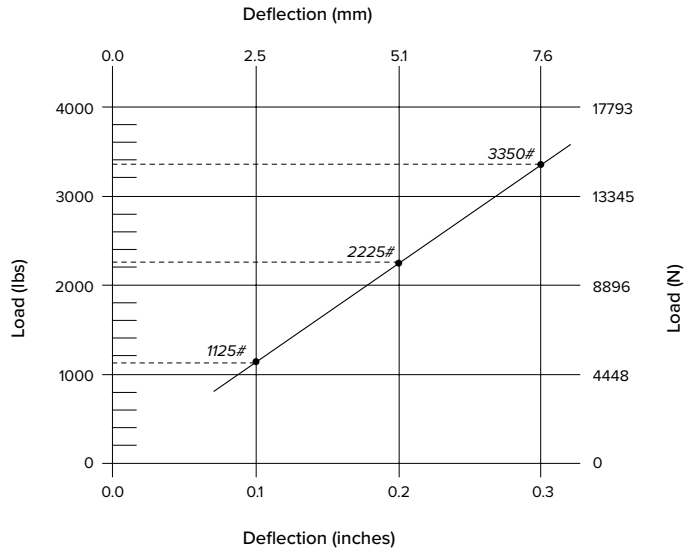
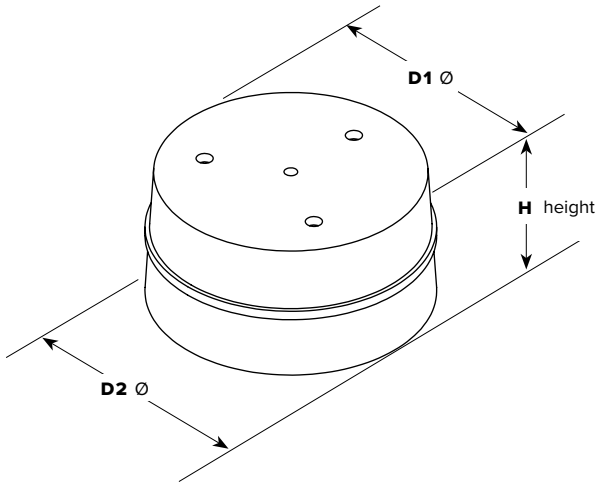


**4AN 60TM Formwork  
Floating Floor Isolation  
Element**

**4AN 60TM**

File No.: DS-4AN60TM-FW-001 Date: 13 Nov 2013  
Supersedes: New Date: New

**4AN 60TM**



**DIMENSIONS**

Model	D1 Ø in mm	D2 Ø in mm	H in mm
4AN 60TM	4 102	4 1/4 108	2 1/8 54

**NOTES**

- 60 durometer AASHTO neoprene isolation element
- Nominal design load = 2225 lbs (9897 N)
- Nominal design deflection = 0.2 in (5 mm)

**Meets AASHTO Specifications**

ASTM Test #	Property	Units	Spec	Result
D2240	hardness	Shore "A"	60+/-5	pass
D412	tensile	psi	2500 min	pass
D412	elongation	%	350 min	pass
D573	heat age 70 hrs @100 C	change -hard.(pts) - tensile (%) - elong (%)	+15 -15 -40	pass
D395B	compression set	%	35 max	pass
D471	#3 oil swell	%	100	pass
D572	oxygen bomb 48 hrs @ 70 C, 300 psi retention - tensile % - elongation %	% %	75 75	pass
D1171	ozone resist 168 hrs @ 40C @ 50 pphm		no cracks	pass
D2137	cold temp	deg. C	-40	pass
D257	volume resistivity	Ω/cm	na	1.2" x 10" static conductive

Project:	COMMENTS:		
Customer:			
Consultant:			
Dwg No.:		Rev:	Drawn by:
V-A Project Manager:			
TAG:	DATE:		