

tel: 416-291-7371 1-800-565-8401
fax: 416-291-8049 1-888-811-2264

web: www.vibro-acoustics.com
eml: info@vibro-acoustics.com

1" (25 mm) Deflection CM Closed Mount Spring Isolators

File No.: DS-CM1-006

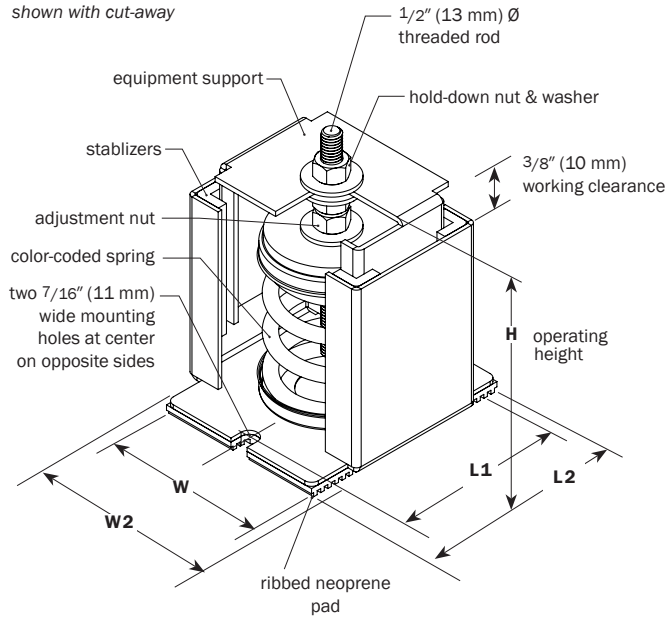
Date: 24 Jul 2024

Supersedes: DS-CM1-005

Date: 23 Sep 2013

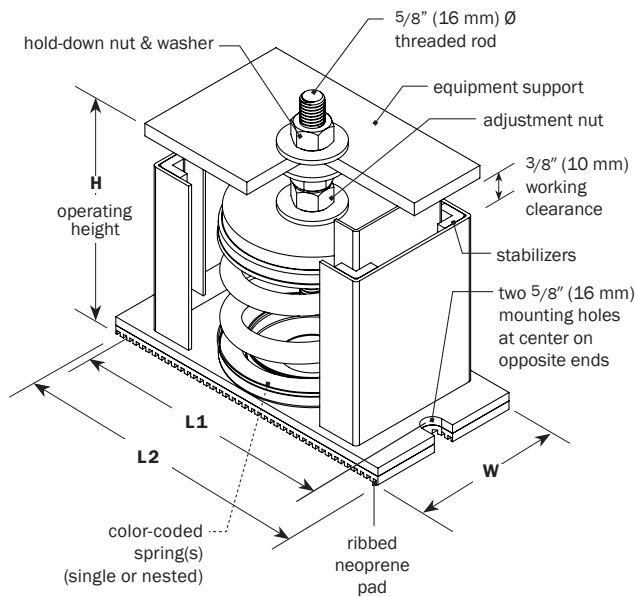
CM-1N

shown with cut-away



CM-1S

shown with cut-away



PERFORMANCE

Model	Spring Color	Rated Load		Deflection at rated load		Isolator Weight †	
		lb	kN	in	mm	lb	kg
CM-1N-50*	Blue	50	0.22	1.0	25	5.7	2.6
CM-1N-100*	White	100	0.44	1.0	25	6.0	2.7
CM-1N-150*	Orange	150	0.67	1.0	25	6.0	2.7
CM-1N-200	Grey	200	0.89	1.0	25	6.2	2.8
CM-1N-300	Black	300	1.33	1.0	25	6.3	2.9
CM-1N-400	Green	400	1.78	1.0	25	6.4	2.9
CM-1N-500	Yellow	500	2.22	1.0	25	6.8	3.1
CM-1N-600	Red	600	2.67	1.0	25	6.9	3.1
CM-1N-800	Blue	800	3.56	1.0	25	7.1	3.2
CM-1S-900	Orange-Green	900	4.00	1.0	25	14.4	6.5
CM-1S-1000	White	1000	4.45	1.0	25	14.5	6.6
CM-1S-1100	White-White	1100	4.89	1.0	25	15.2	6.9
CM-1S-1200	White-Grey	1200	5.34	1.0	25	15.4	7.0
CM-1S-1300	White-Black	1300	5.78	1.0	25	15.6	7.1
CM-1S-1400	White-Green	1400	6.23	1.0	25	15.6	7.1
CM-1S-1500	White-Yellow	1500	6.67	1.0	25	16.0	7.2
CM-1S-1600	White-Red	1600	7.12	1.0	25	16.0	7.3
CM-1S-1800	White-Blue	1800	8.01	1.0	25	16.3	7.4

*for smaller isolator, see CM-SN † weights are approximate

DIMENSIONS: CM-1N

Model	L1	L2	W	W2	H					
CM-1N	in	mm	in	mm	in	mm				
50-800	5 1/8	130	5 3/4	146	4 1/2	114	5 1/4	133	5 3/4	146

DIMENSIONS: CM-1S

Model	L1	L2	W	H				
CM-1S	in	mm	in	mm				
900-1800	8 1/4	209	9	229	4 1/2	114	6 1/8	156

NOTES

- Laterally supported, housed spring type isolator with telescoping equipment support plate, leveling bolt and hold-down nut for attaching equipment.
- Springs are supported with a cup on a metal base plate complete with a ribbed neoprene vibration isolation pad, 1/4" (6 mm) thick, bonded to the base plate.
- Steel telescoping housing incorporates neoprene stabilizers that prevent metal-to-metal contact while resisting movement and provides vertical damping.
- Minimum 50% additional travel to solid
- Minimum k_x/k_y ratio of 0.8

Project:			plan view of mount locations 				1:	6:
Customer:							2:	7:
Consultant:							3:	8:
Dwg No.:	Rev:	Drawn by:					4:	9:
V-A Project Manager:							5:	10:
TAG:			EQUIPMENT:				QTY of sets required:	
COMMENTS:							DATE:	