

tel: 416-291-7371 1-800-565-8401  
fax: 416-291-8049 1-888-811-2264

web: www.vibro-acoustics.com  
eml: info@vibro-acoustics.com

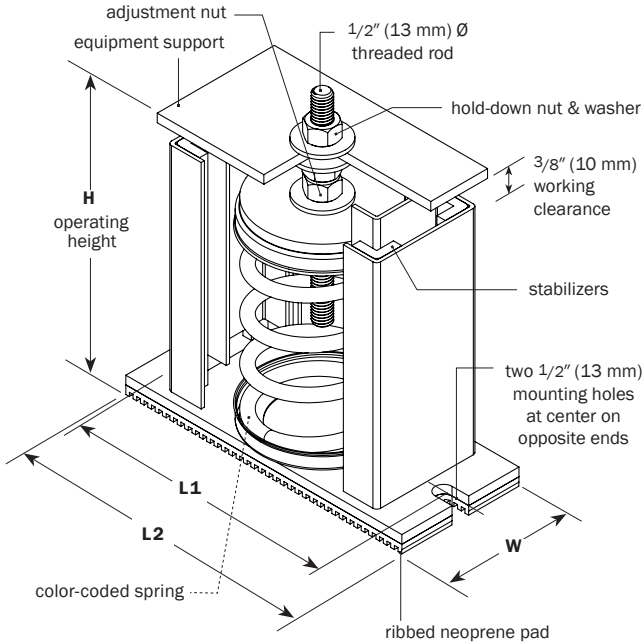
### 2" (50 mm) Deflection CM Closed Mount Spring Isolators

File No.: DS-CM2-009  
Supersedes: DS-CM2-008

Date: 24 Jul 2024  
Date: 22 Oct 2021

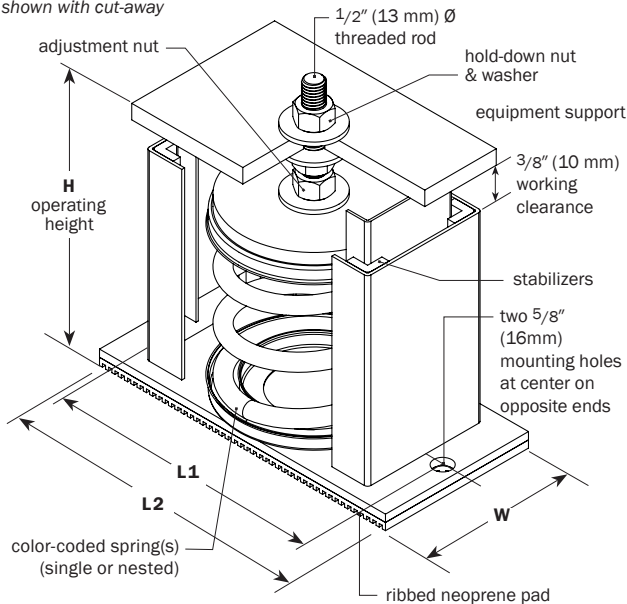
#### CM-2N

shown with cut-away



#### CM-2S

shown with cut-away



#### PERFORMANCE

Model	Spring Color outer-inner	Rated Load		Deflection at rated load		Isolator Weight †	
		lb	kN	in	mm	lb	kg
CM-2N-50	Red	50	0.22	2.0	51	8.6	3.9
CM-2N-100	White	100	0.44	2.0	51	8.7	4.0
CM-2N-200	Orange	200	0.89	2.0	51	9.3	4.2
CM-2N-300	Green	300	1.33	2.1	53	9.3	4.2
CM-2N-400	Grey	400	1.78	2.0	51	9.6	4.3
CM-2N-500	Yellow	500	2.22	2.1	53	9.7	4.4
CM-2N-600	Blue	600	2.67	2.0	51	10.2	4.6
CM-2N-800	Black	800	3.56	2.1	53	9.8	4.4
CM-2N-1000	Ivory	1000	4.45	2.0	51	10.2	4.6
CM-2S-800	Green	800	3.56	2.0	51	19.4	8.8
CM-2S-900	Green-White	900	4.00	2.0	51	20.1	9.1
CM-2S-1000	Green-Orange	1000	4.45	2.0	51	20.7	9.4
CM-2S-1100	Green-Green	1100	4.89	2.0	51	20.7	9.4
CM-2S-1200	Green-Grey	1200	5.34	2.0	51	20.9	9.5
CM-2S-1300	Green-Yellow	1300	5.78	2.0	51	21.0	9.5
CM-2S-1400	Green-Blue	1400	6.23	2.0	51	21.5	9.8
CM-2S-1600	Green-Black	1600	7.12	2.0	51	21.1	9.6
CM-2S-1800	Green-Ivory	1800	7.12	2.0	51	21.5	9.8

† weights are approximate

#### DIMENSIONS: CM-2N

Model	L1	L2	W	H
CM-2N	in mm	in mm	in mm	in mm
50-1000	6 1/4 158	8 1/4 210	3 1/2 89	7 1/2 191

#### DIMENSIONS: CM-2S

Model	L1	L2	W	H
CM-2S	in mm	in mm	in mm	in mm
800-1800	7 3/4 197	10 254	5 127	7 5/8 198

#### NOTES

- Laterally supported, housed spring type isolator with telescoping equipment support plate, leveling bolt and hold-down nut for attaching equipment.
- Springs are supported with a cup on a metal base plate complete with a ribbed neoprene vibration isolation pad, 1/4" (6 mm) thick, bonded to the base plate.
- Steel telescoping housing incorporates neoprene stabilizers that prevent metal-to-metal contact while resisting movement and provides vertical damping.
- Minimum 50% additional travel to solid
- Minimum  $k_x/k_y$  ratio of 0.8

Project:			plan view of mount locations		1:	6:
Customer:					2:	7:
Consultant:					3:	8:
Dwg No.:	Rev:	Drawn by:			4:	9:
V-A Project Manager:					5:	10:
TAG:					QTY of sets required:	
COMMENTS:			EQUIPMENT:			DATE: