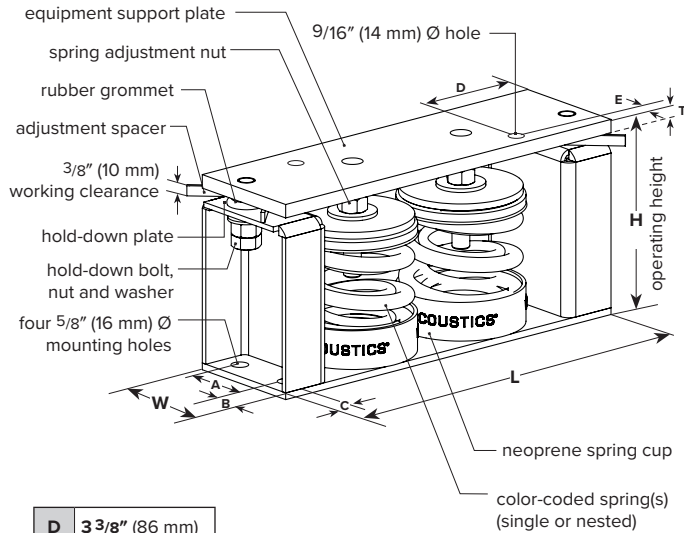


tel: 416-291-7371 1-800-565-8401 web: www.vibro-acoustics.com
fax: 416-291-8049 1-888-811-2264 eml: info@vibro-acoustics.com

File No.: DS-CSR-LD-02 Date: 28 Jul 2020
Supersedes: DS-CSR-LD-01 Date: 22 May 2020

CSR-LD-1A (300-4000)

shown with cut-away



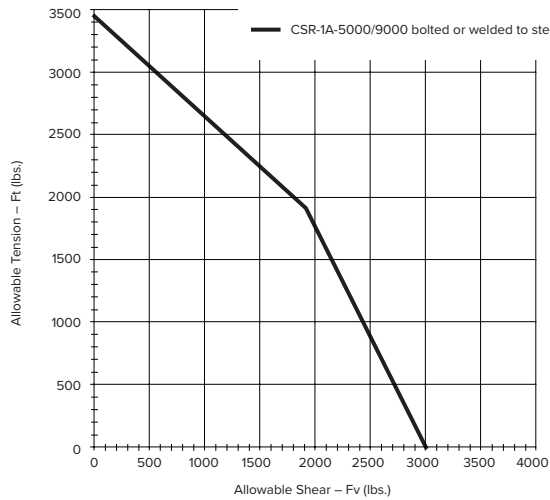
PERFORMANCE

Model	Spring Color outer-inner	Rated Load		Deflection at rated load		Isolator Weight †	
		lb	kN	in	mm	lb	kg
CSR-LD-1A-300	(2) Black-White	300	1.33	1.0	25	32	14.5
CSR-LD-1A-400	(2) Grey	400	1.78	1.0	25	32	14.5
CSR-LD-1A-600	(2)S Grey - NWhite	600	2.67	1.0	25	32	14.5
CSR-LD-1A-800	(2) Grey-Grey	800	3.56	1.0	25	32	14.5
CSR-LD-1A-1000	(2) Orange	1000	4.45	1.0	25	32	14.5
CSR-LD-1A-1400	(2) Orange-Grey	1400	6.23	1.0	25	32	14.5
CSR-LD-1A-1800	(2) Orange-Green	1800	8.01	1.0	25	32	14.5
CSR-LD-1A-2200	(2) White-White	2200	9.78	1.0	25	32	14.5
CSR-LD-1A-2600	(2) White-Black	2600	11.56	1.0	25	32	14.5
CSR-LD-1A-3000	(2) Red	3000	13.34	1.0	25	32	14.5
CSR-LD-1A-3400	(2) Red-Grey	3400	15.12	1.0	25	32	14.5
CSR-LD-1A-4000	(2) Red-Yellow	4000	17.80	1.0	25	32	14.5

† weights are approximate

DIMENSIONS

Model	L	W	H	A	B	C	T
CSR-1A	in mm	in mm	in mm	in mm	in mm	in mm	in mm
300-4000	15 381	4 1/2 114	7 1/4 184	2 1/2 64	1 25	7/8 22	1/2 13



1. Bolted loads are based on using (4) A307 bolts

NOTES

- Laterally and vertically restrained spring type isolators with housings and heavy top plates for equipment support
- Welded steel construction housings with vertically restraining limit stops
- Top plate and restraining bolts are designed to be out of contact with housing during normal operation
- Neoprene grommets are incorporated to minimize short-circuiting of restraining bolts
- Minimum 50% additional travel to solid
- Minimum k_x/k_y ratio of 0.8
- Housing is powder-coated; hot-dipped galvanizing is optional
- All springs are powder-coated
- All components are painted, plated, or coated for outdoor use
- If less than 80% of the top plate is covered by the supported equipment, use an additional plate (same thickness as the isolator's equipment support plate) on top of the isolator

Project:			plan view of mount locations		1:	6:
Customer:			□ □ □ □ □		2:	7:
Consultant:			□ □ □ □ □		3:	8:
Dwg No.:	Rev.:	Drawn by:			4:	9:
V-A Project Manager:					5:	10:
TAG:			EQUIPMENT:			
COMMENTS:			QTY of sets required:			
						DATE: