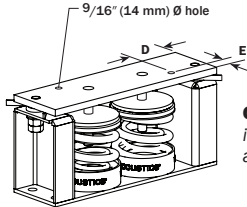
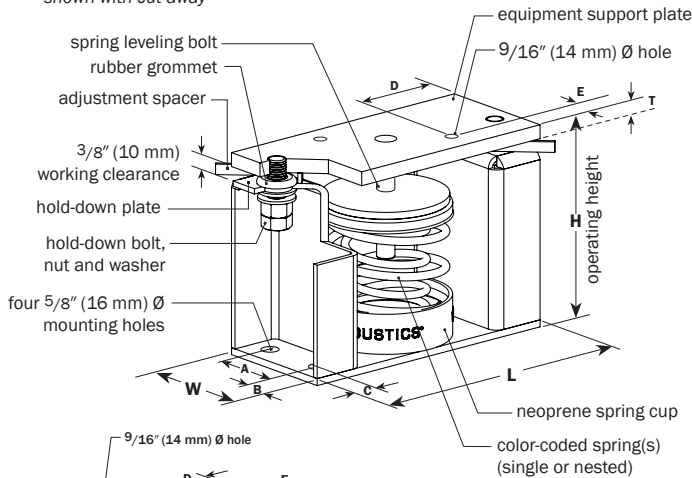


tel: 416-291-7371 1-800-565-8401
fax: 416-291-8049 1-888-811-2264

web: www.vibro-acoustics.com
eml: info@vibro-acoustics.com

CSR-1A-H (50-4500)

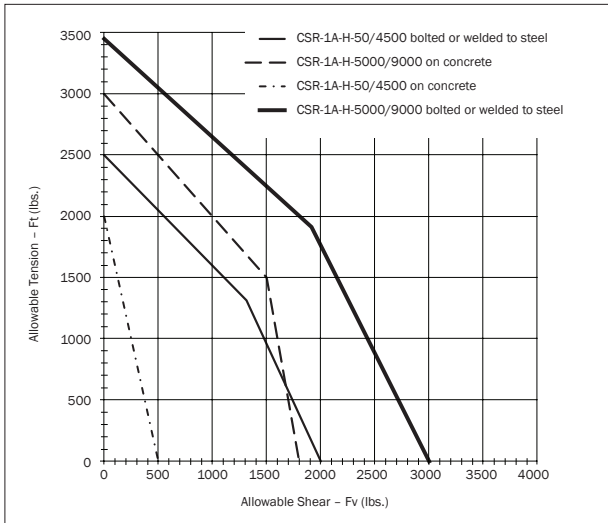
shown with cut-away



CSR-1A-H (5000-9000)

includes two spring assemblies

D	3 3/8" (86 mm)
E	3/4" (19 mm)



- Bolted loads are based on using (4) A307 bolts
- CSR-1A-H-50/4500 concrete loads are based on using (2) 1/2" Hilti KB TZ anchors diagonally placed at 2" embedment and 4" edge distance with 4" thick 3000 psi concrete
- CSR-1A-H-5000/9000 concrete loads are based on using (4) 1/2" Hilti KB TZ anchors at 3 1/4" embedment and 4 1/4" edge distance with 6" thick 3000 psi concrete
- Ratings for concrete are not valid for seismic applications

1" (25 mm) Deflection CSR Restrained Spring Isolators (Hot Dip Galvanized Housings)

CSR-1A-H

File No.: DS-CSR1-H-002

Date: 1 May 2017

Supersedes: DS-CSR1-H-001

Date: 15 Apr 2014

PERFORMANCE

Model	Spring Color outer-inner	Rated Load		Deflection at rated load		Isolator Weight †	
		lb	kN	in	mm	lb	kg
CSR-1A-H-50	Black	50	0.22	1.0	25	16.9	7.7
CSR-1A-H-150	Black-White	150	0.67	1.0	25	17.5	7.9
CSR-1A-H-200	Grey	200	0.89	1.0	25	17.5	7.9
CSR-1A-H-300	Grey-White	300	1.33	1.0	25	18.1	8.2
CSR-1A-H-400	Grey-Grey	400	1.78	1.0	25	18.4	8.3
CSR-1A-H-500	Orange	500	2.22	1.0	25	18.3	8.3
CSR-1A-H-600	Orange-White	600	2.67	1.0	25	18.9	8.6
CSR-1A-H-700	Orange-Grey	700	3.11	1.0	25	19.2	8.7
CSR-1A-H-800	Orange-Black	800	3.56	1.0	25	19.4	8.8
CSR-1A-H-900	Orange-Green	900	4.00	1.0	25	19.4	8.8
CSR-1A-H-1000	White	1000	4.45	1.0	25	18.7	8.5
CSR-1A-H-1100	White-White	1100	4.89	1.0	25	19.3	8.8
CSR-1A-H-1200	White-Grey	1200	5.34	1.0	25	19.6	8.9
CSR-1A-H-1300	White-Black	1300	5.78	1.0	25	19.8	9.0
CSR-1A-H-1400	White-Green	1400	6.23	1.0	25	19.8	9.0
CSR-1A-H-1500	Red	1500	6.67	1.0	25	18.7	8.5
CSR-1A-H-1600	Red-White	1600	7.12	1.0	25	19.3	8.8
CSR-1A-H-1800	Red-Black	1800	8.01	1.0	25	19.8	9.0
CSR-1A-H-2000	Red-Yellow	2000	8.90	1.0	25	20.2	9.2
CSR-1A-H-2500	Red-Ivory	2500	11.12	1.0	25	20.3	9.2
CSR-1A-H-3000	Red-White	3000	13.34	1.0	25	20.3	9.2
CSR-1A-H-3500	Black-Red	3500	15.57	1.0	25	21.8	9.9
CSR-1A-H-3800	Black-Blue	3800	16.90	1.0	25	22.1	10.0
CSR-1A-H-4000	Black-Ivory	4000	17.80	1.0	25	22.6	10.3
CSR-1A-H-4500	Black-White	4500	20.02	1.0	25	23.0	10.4
CSR-1A-H-5000	(2)Red-Ivory	5000	22.24	1.0	25	32.0	14.5
CSR-1A-H-6000	(2)Red-White	6000	26.69	1.0	25	32.2	14.6
CSR-1A-H-6600	(2)Black-Yellow	6600	29.36	1.0	25	32.4	14.7
CSR-1A-H-7000	(2)Black-Red	7000	31.14	1.0	25	32.8	14.9
CSR-1A-H-7600	(2)Black-Blue	7600	33.81	1.0	25	33.2	15.1
CSR-1A-H-8000	(2)Black-Ivory	8000	35.59	1.0	25	33.5	15.2
CSR-1A-H-9000	(2)Black-White	9000	40.03	1.0	25	34.0	15.4

† weights are approximate

DIMENSIONS

Model	L	W	H	A	B	C	T							
CSR-1A-H	in	mm	in	mm	in	mm	in							
50-4500	10	254	4 1/2	114	7 1/4	184	2 1/2	64	1	25	7/8	22	1/2	13
5000-9000	15	381	4 1/2	114	7 1/4	184	2 1/2	64	1	25	7/8	22	1/2	13

NOTES

- Laterally and vertically restrained spring type isolators with housings and heavy top plates for equipment support
- Welded steel construction housings with vertically restraining limit stops
- Top plate and restraining bolts are designed to be out of contact with housing during normal operation
- Neoprene grommets are incorporated to minimize short-circuiting of restraining bolts
- Minimum 50% additional travel to solid
- Minimum k_x/k_y ratio of 0.8
- Housing is hot-dipped galvanized
- All springs are powder-coated
- All components are painted, plated, or coated for outdoor use
- If less than 80% of the top plate is covered by the supported equipment, use an additional plate (same thickness as the isolator's equipment support plate) on top of the isolator

Project:			plan view of mount locations				1:	6:
Customer:							2:	7:
Consultant:							3:	8:
Dwg No.:	Rev:	Drawn by:					4:	9:
V-A Project Manager:							5:	10:
TAG:							EQUIPMENT:	
COMMENTS:							DATE:	