

tel: 416-291-7371 1-800-565-8401  
fax: 416-291-8049 1-888-811-2264

web: www.vibro-acoustics.com  
eml: info@vibro-acoustics.com

**2" (50 mm) Deflection CSR  
Restrained Spring Isolators  
(Hot Dip Galvanized Housings)**

**CSR-2A-H**

File No.: DS-CSR2-H-004

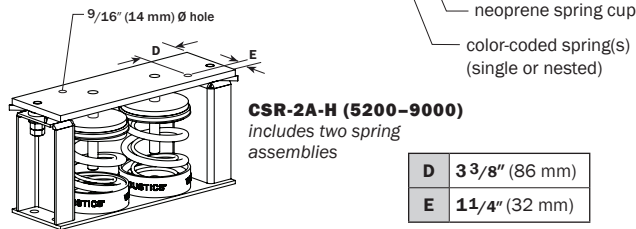
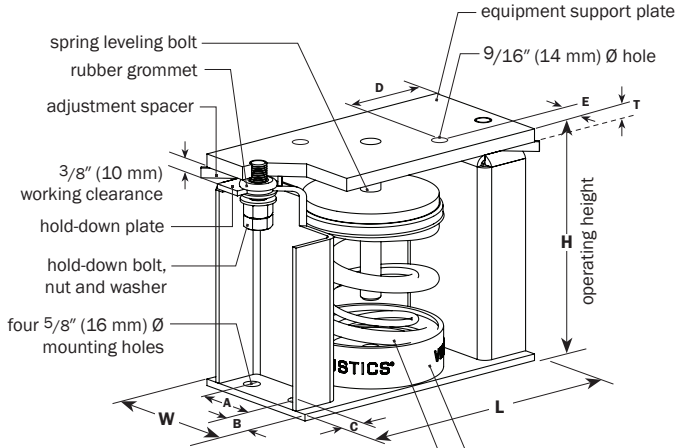
Date: 1 May 2017

Supersedes: DS-CSR2-H-003

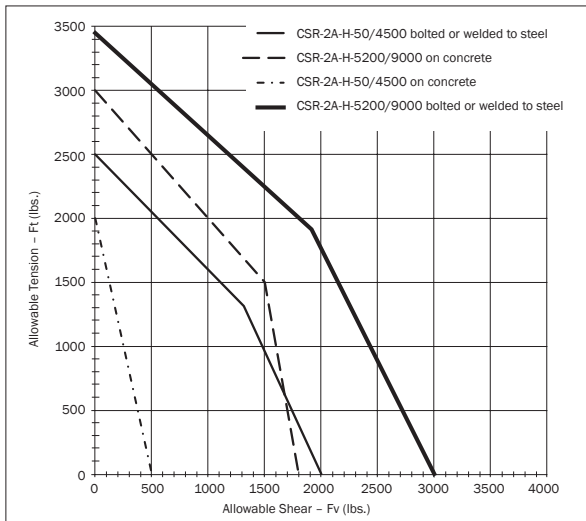
Date: 3 Mar 2015

**CSR-2A-H (50-4500)**

shown with cut-away



<b>D</b>	<b>3 3/8" (86 mm)</b>
<b>E</b>	<b>1 1/4" (32 mm)</b>



- Bolted loads are based on using (4) A307 bolts
- CSR-2A-H-50/4500 concrete loads are based on using (2) 1/2" Hilti KB TZ anchors diagonally placed at 2" embedment and 4" edge distance with 4" thick 3000 psi concrete
- CSR-2A-H-5200/9000 concrete loads are based on using (4) 1/2" Hilti KB TZ anchors at 3 1/4" embedment and 4 1/4" edge distance with 6" thick 3000 psi concrete
- Ratings for concrete are not valid for seismic applications

**PERFORMANCE**

Model	Spring Color outer-inner	Rated Load		Deflection at rated load		Isolator Weight †	
		lb	kN	in	mm	lb	kg
CSR-2A-H-50	Grey	50	0.22	2.0	51	23.4	10.6
CSR-2A-H-100	Blue	100	0.44	2.0	51	23.4	10.6
CSR-2A-H-150	Grey-White	150	0.67	2.0	51	24.1	10.9
CSR-2A-H-200	Blue-White	200	0.89	2.0	51	24.1	10.9
CSR-2A-H-300	Blue-Orange	300	1.33	2.0	51	24.7	11.2
CSR-2A-H-400	Red	400	1.78	2.0	51	24.6	11.2
CSR-2A-H-500	Red-White	500	2.22	2.0	51	25.3	11.5
CSR-2A-H-600	Red-Orange	600	2.67	2.0	51	25.9	11.7
CSR-2A-H-700	Red-Green	700	3.11	2.0	51	25.9	11.7
CSR-2A-H-800	Green	800	3.56	2.0	51	25.1	11.4
CSR-2A-H-900	Green-White	900	4.00	2.0	51	25.8	11.7
CSR-2A-H-1000	Green-Orange	1000	4.45	2.0	51	26.4	12.0
CSR-2A-H-1100	Green-Green	1100	4.89	2.0	51	26.4	12.0
CSR-2A-H-1200	Green-Grey	1200	5.34	2.0	51	26.6	12.1
CSR-2A-H-1400	Green-Blue	1400	6.23	2.0	51	27.2	12.3
CSR-2A-H-1600	Green-Black	1600	7.12	2.0	51	26.9	12.2
CSR-2A-H-1800	Green-Ivory	1800	8.01	2.0	51	27.3	12.4
CSR-2A-H-2000	Black	2000	8.90	2.0	51	25.1	11.4
CSR-2A-H-2200	Black-Orange	2200	9.97	2.0	51	26.4	12.0
CSR-2A-H-2400	Black-Grey	2400	10.68	2.0	51	26.6	12.1
CSR-2A-H-2600	Black-Blue	2600	11.57	2.0	51	27.2	12.3
CSR-2A-H-2800	Black-Black	2800	12.46	2.0	51	26.9	12.2
CSR-2A-H-3200	Black-Red	3200	14.23	2.0	51	27.6	12.5
CSR-2A-H-3700	Blue-Grey	3700	16.45	2.0	51	27.8	12.6
CSR-2A-H-4100	Blue-Black	4100	18.24	2.0	51	28.4	12.9
CSR-2A-H-4500	Blue-Red	4500	20.02	2.0	51	29.0	13.2
CSR-2A-H-5200	(2)Black-Blue	5200	23.13	2.0	51	42.6	19.3
CSR-2A-H-6400	(2)Black-Red	6400	28.46	2.0	51	43.4	19.7
CSR-2A-H-7400	(2)Blue-Grey	7400	32.92	2.0	51	44.0	20.0
CSR-2A-H-8200	(2)Blue-Black	8200	36.48	2.0	51	44.8	20.3
CSR-2A-H-9000	(2)Blue-Red	9000	40.03	2.0	51	46.0	20.9

† weights are approximate

**DIMENSIONS**

Model	L	W	H	A	B	C	T							
CSR-2A-H	in	mm	in	mm	in	mm	in							
50-4500	11	279	5 1/2	140	8 7/8	225	2 1/2	64	1 1/2	38	7/8	22	1/2	13
5200-9000	17	432	5 1/2	140	8 7/8	225	2 1/2	64	1 1/2	38	7/8	22	1/2	13

**NOTES**

- Laterally and vertically restrained spring type isolators with housings and heavy top plates for equipment support
- Welded steel construction housings with vertically restraining limit stops
- Top plate and restraining bolts are designed to be out of contact with housing during normal operation
- Neoprene grommets are incorporated to minimize short-circuiting of restraining bolts
- Minimum 50% additional travel to solid
- Minimum  $k_x/k_y$  ratio of 0.8
- Housing is hot-dipped galvanized
- All springs are powder-coated
- All components are painted, plated, or coated for outdoors
- If less than 80% of the top plate is covered by the supported equipment, use an additional plate (same thickness as the isolator's equipment support plate) on top of the isolator

<b>Project:</b>			plan view of mount locations				1:	6:
<b>Customer:</b>			□ □ □ □ □				2:	7:
<b>Consultant:</b>			□ □ □ □ □				3:	8:
<b>Dwg No.:</b>	<b>Rev:</b>	<b>Drawn by:</b>					4:	9:
<b>V-A Project Manager:</b>							5:	10:
<b>TAG:</b>			<b>EQUIPMENT:</b>				<b>QTY of sets required:</b>	
<b>COMMENTS:</b>							<b>DATE:</b>	