

tel: 416-291-7371 1-800-565-8401
fax: 416-291-8049 1-888-811-2264

web: www.vibro-acoustics.com
eml: info@vibro-acoustics.com

**1" (25 mm) Deflection CSR
Restrained Spring Isolators**

CSR-SA

File No.: DS-CSRSA-014

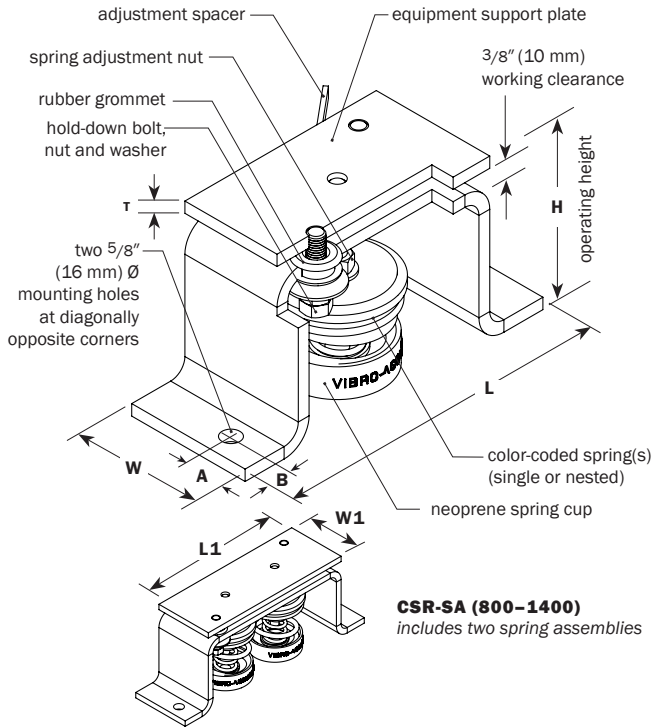
Date: 1 May 2017

Supersedes: DS-CSRSA-013

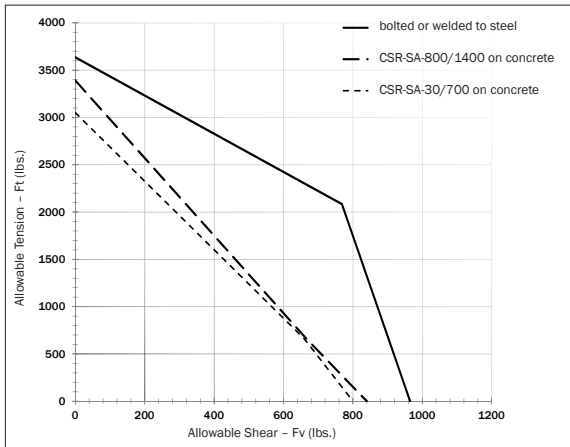
Date: 8 Dec 2016

CSR-SA (30-700)

shown with cut-away



CSR-SA (800-1400)
includes two spring assemblies



1. Bolted loads are based on using (2) A307 bolts
2. CSR-SA-30/700 concrete loads are based on using (2) 1/2" Hilti KB TZ anchors at 2" embedment and 2 3/4" edge distance with 4" thick 3000 psi concrete
3. CSR-SA-800/1400 concrete loads are based on using (2) 1/2" Hilti KB TZ anchors at 2" embedment and 4" edge distance with 4" thick 3000 psi concrete
4. Ratings for concrete are not valid for seismic applications

PERFORMANCE

Model	Spring Color outer-inner	Rated Load		Deflection at rated load	Isolator Weight †		
		lb	kN		in	mm	lb
*CSR-SA-30	Grey	30	0.13	1.0	25	12.1	5.5
*CSR-SA-60	Grey-Yellow	60	0.27	1.0	25	12.2	5.5
*CSR-SA-100	Orange	100	0.44	1.0	25	12.3	5.6
*CSR-SA-130	Orange-Yellow	130	0.57	1.0	25	12.4	5.6
*CSR-SA-160	Orange-Red	160	0.71	1.0	25	12.4	5.6
*CSR-SA-200	White	200	0.89	1.0	25	12.4	5.6
*CSR-SA-230	White-Yellow	230	1.02	1.0	25	12.5	5.7
*CSR-SA-260	White-Red	260	1.16	1.0	25	12.5	5.7
*CSR-SA-300	White-Blue	300	1.33	1.0	25	12.6	5.7
*CSR-SA-350	White-Black	350	1.56	1.0	25	12.5	5.7
*CSR-SA-400	White-Grey	400	1.80	1.0	25	12.6	5.7
*CSR-SA-500	Blue	500	2.22	1.0	25	12.6	5.7
*CSR-SA-600	Blue-Blue	600	2.67	1.0	25	12.7	5.8
*CSR-SA-700	Blue-Grey	700	3.11	1.0	25	12.7	5.8
CSR-SA-800	(2) White-Grey	800	3.58	1.0	25	17.9	8.1
CSR-SA-1000	(2) Blue	1000	4.45	1.0	25	17.9	8.1
CSR-SA-1200	(2) Blue-Blue	1200	5.34	1.0	25	18.0	8.2
CSR-SA-1400	(2) Blue-Grey	1400	6.23	1.0	25	18.1	8.2

* Models from CSR-SA-30 to -700 are no longer offered. See equivalent CSR-1A models instead.

† weights are approximate

DIMENSIONS

Model	L		W		H	L1		W1		
CSR-SA	in	mm	in	mm	in	mm	in	mm	in	mm
*30-700	10 1/2	267	4	102	5 5/8	143	6 3/4	171	4	102
800-1400	14 1/2	368	4	102	5 5/8	143	10 3/4	273	4	102

Model	A		B		T	
CSR-SA	in	mm	in	mm	in	mm
*30-700	1 1/4	32	3/4	19	3/8	10
800-1400	1 1/4	32	3/4	19	3/8	10

NOTES

- Laterally and vertically restrained spring type isolators with housings and heavy top plates for equipment support
- Steel construction housings with vertically restraining limit stops
- Top plate and restraining bolts are designed to be out of contact with housing during normal operation
- Neoprene grommets are incorporated to minimize short-circuiting of restraining bolts
- Minimum 50% additional travel to solid
- Minimum k_x/k_y ratio of 0.8
- Housing is powder-coated; hot-dipped galvanizing is optional
- All springs are powder-coated
- All components are painted, plated, or coated for outdoor use
- If less than 80% of the top plate is covered by the supported equipment, use an additional plate (same thickness as the isolator's equipment support plate) on top of the isolator.

Project:			plan view of mount locations		1:	6:
Customer:					2:	7:
Consultant:					3:	8:
Dwg No.:	Rev:	Drawn by:			4:	9:
V-A Project Manager:					5:	10:
TAG:			EQUIPMENT:			QTY of sets required:
COMMENTS:						DATE: