

tel: 416-291-7371 1-800-565-8401
fax: 416-291-8049 1-888-811-2264

web: www.vibro-acoustics.com
eml: info@vibro-acoustics.com

Double Anchor Bracket

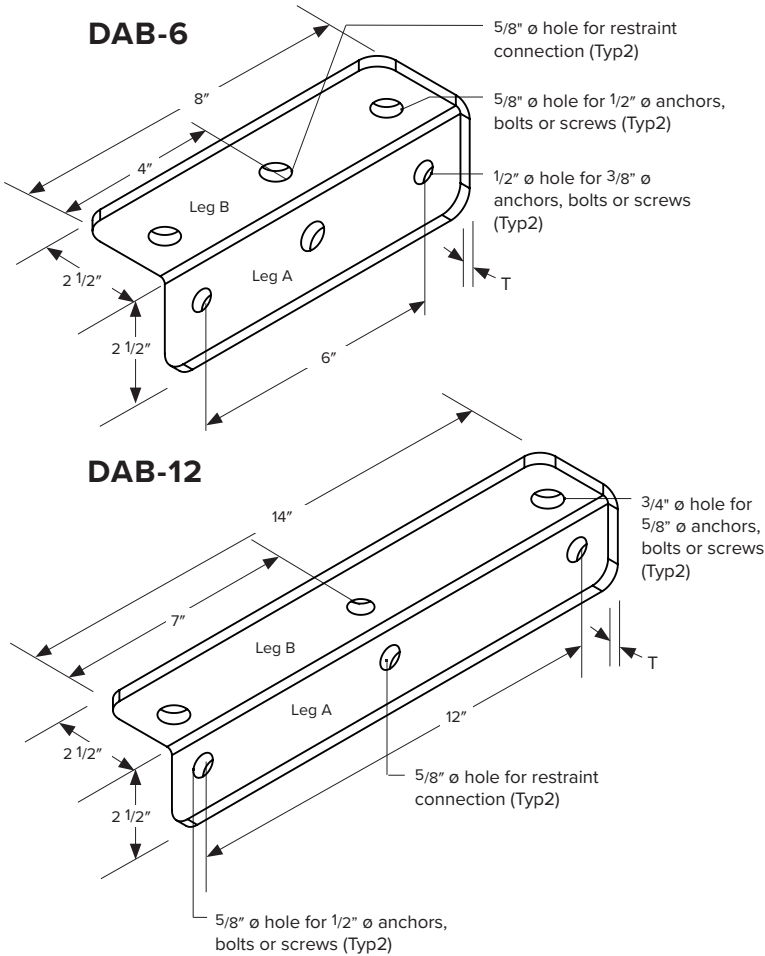
DAB

File No.: DS-DAB-003

Date: 29 Nov 2019

Supersedes: DS-DAB-002

Date: 06 Apr 2017



PERFORMANCE

Model	Maximum Tension Load in Attached Restraint			
	6" Concrete lb kN	Metal B Deck lb kN	Metal W Deck lb kN	Wood lb kN
DAB-6	1400 6.23	1400 6.23	- -	1400 6.23
DAB-12	2000 8.90	- -	1817 8.08	2000 8.90

Rated loads based on:

- 30° – 60° restraint installation angle
- 4000 psi concrete
- Hilti KB-TZ anchors
- Metal deck with minimum 3.25" concrete cover (per Fig. 1)
- Wood thickness at least 8 x anchor diameter
- See BB-AL for additional requirements and load ratings for other constructions

DIMENSIONS

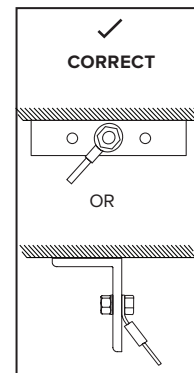
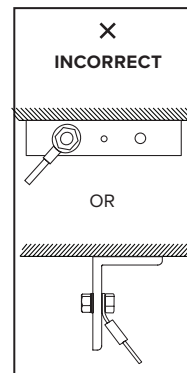
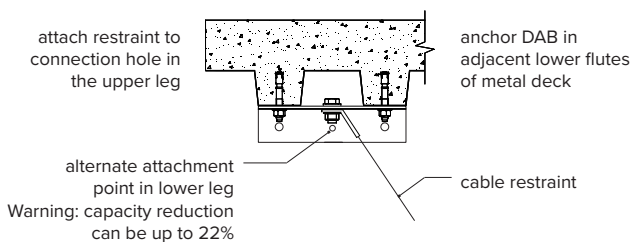
Model	Restraint Connection Max Bolt Diameter in mm	Leg A Anchor Diameter in mm	Leg B Anchor Diameter in mm	Angle Thickness T in mm
DAB-6	5/8 16	3/8 10	1/2 13	1/8 3
DAB-12	5/8 16	1/2 13	5/8 16	3/16 5

* weights are approximate

NOTES

- Brackets for use with restraint kits to restrain non-structural components (e.g., equipment, ductwork, piping and conduit) against seismic, wind, or blast forces. Not meant for gravity loads.
- One bracket required per restraint point; two brackets required per cable restraint kit
- High strength steel formed angles
- Bracket is powder coated or zinc plated for corrosion protection.
- Other materials and finishes available (e.g. stainless steel).

Fig. 1 Installation configuration for metal deck



attach restraint only to center hole

attach restraint to pull away from angle, not into it

Project:			1:		6:	
Customer:			2:		7:	
Consultant:			3:		8:	
Dwg No.:	Rev.:	Drawn by:	4:		9:	
V-A Project Manager:			5:		10:	
TAG:			QTY of sets required:			
COMMENTS:			EQUIPMENT:			
						DATE: