

tel: 416-291-7371 1-800-565-8401
fax: 416-291-8049 1-888-811-2264

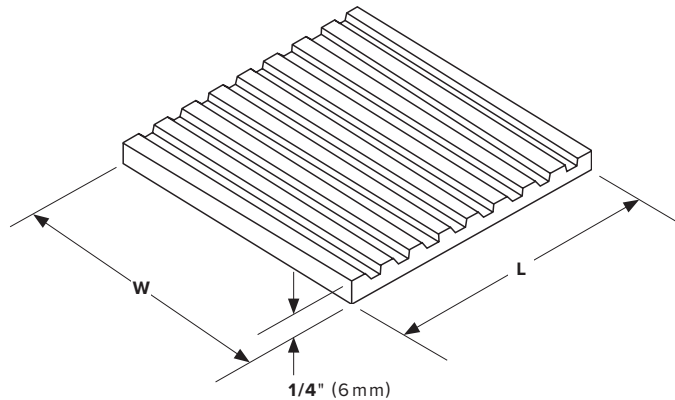
web: www.vibro-acoustics.com
eml: info@vibro-acoustics.com

Flatback Neoprene Isolation Pads

FN

File No.: DS-FN-001
Supersedes: New

Date: Sept 3, 2019
Date: New



PERFORMANCE

| Model | Design Load Capacity @0.04 in (1 mm) | | Standard Size (Other sizes available) | | Pad Weight* | |
|---------|---|--------|--|-----------|-------------|------|
| | lb | kN | L x W in mm | | lb | kg |
| FN-22 | 160 | 0.71 | 2 x 2 | 50 x 50 | 0.04 | 0.02 |
| FN-33 | 360 | 1.60 | 3 x 3 | 80 x 80 | 0.08 | 0.04 |
| FN-44 | 640 | 2.85 | 4 x 4 | 100 x 100 | 0.15 | 0.07 |
| FN-55 | 1000 | 4.45 | 5 x 5 | 130 x 130 | 0.23 | 0.10 |
| FN-66 | 1440 | 6.41 | 6 x 6 | 150 x 150 | 0.33 | 0.15 |
| FN-1818 | 12960 | 57.65 | 18 x 18 | 460 x 460 | 3.00 | 1.36 |
| FN-3636 | 51840 | 230.60 | 36 x 36 | 915 x 915 | 12.00 | 5.44 |

* weights are approximate

NOTES

- Neoprene pad
- 1/4" (6 mm) thick
- Ribbed on one side, flat on the other
- 40 psi design loading. Ideal for supplementing vibration isolation for small equipment and for lining up clevis hangers for added vibration isolation of suspended piping

| | | | | | | |
|----------------------|------|-----------|-----------------------------------|--|-----------------------|-------|
| Project: | | | plan view of hanger locations | | 1: | 6: |
| Customer: | | | | | 2: | 7: |
| Consultant: | | | | | 3: | 8: |
| Dwg No.: | Rev: | Drawn by: | | | 4: | 9: |
| V-A Project Manager: | | | | | 5: | 10: |
| TAG: | | | EQUIPMENT: | | | |
| COMMENTS: | | | | | QTY of sets required: | |
| | | | | | | DATE: |