

tel: 416-291-7371 1-800-565-8401
fax: 416-291-8049 1-888-811-2264

web: www.vibro-acoustics.com
eml: info@vibro-acoustics.com

**1" (25 mm) Deflection FS
Free Spring Floor Mounted
Isolators**

FS-1A

File No.: DS-FS1-013

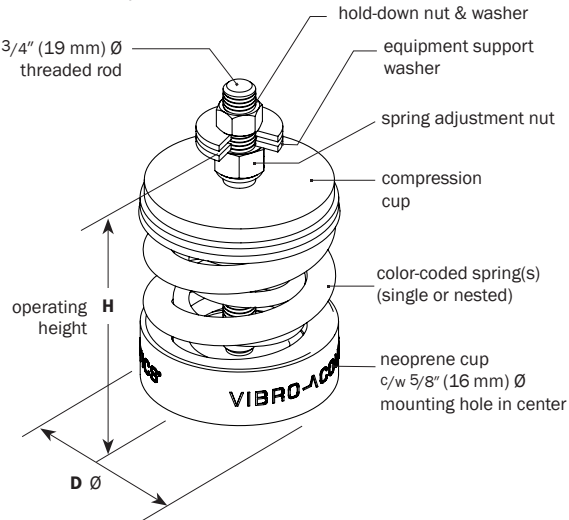
Date: 11 Jun 2015

Supersedes: DS-FS1-012

Date: 3 Feb 2015

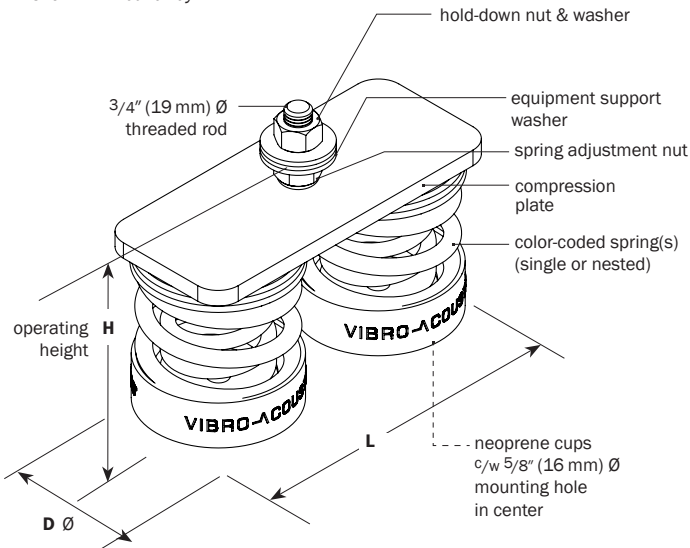
FS-1A (50-4500)

shown with cut-away



FS-1A (5000-9000)

shown with cut-away



PERFORMANCE

Model	Spring Color outer-inner	Rated Load		Deflection at rated load		Isolator Weight †	
		lb	kN	in	mm	lb	kg
FS-1A-50	Black	50	0.22	1.0	25	4.5	2.0
FS-1A-150	Black-White	150	0.67	1.0	25	5.1	2.3
FS-1A-200	Grey	200	0.89	1.0	25	5.0	2.3
FS-1A-300	Grey-White	300	1.33	1.0	25	5.7	2.6
FS-1A-400	Grey-Grey	400	1.78	1.0	25	5.9	2.7
FS-1A-500	Orange	500	2.22	1.0	25	6.0	2.7
FS-1A-600	Orange-White	600	2.67	1.0	25	6.7	3.0
FS-1A-700	Orange-Grey	700	3.11	1.0	25	6.9	3.1
FS-1A-800	Orange-Black	800	3.56	1.0	25	7.1	3.2
FS-1A-900	Orange-Green	900	4.00	1.0	25	7.2	3.3
FS-1A-1000	White	1000	4.45	1.0	25	6.3	2.9
FS-1A-1100	White-White	1100	4.89	1.0	25	7.0	3.2
FS-1A-1200	White-Grey	1200	5.34	1.0	25	7.3	3.3
FS-1A-1300	White-Black	1300	5.78	1.0	25	7.5	3.4
FS-1A-1400	White-Green	1400	6.23	1.0	25	7.6	3.4
FS-1A-1500	Red	1500	6.67	1.0	25	6.1	2.8
FS-1A-1600	Red-White	1600	7.12	1.0	25	6.8	3.1
FS-1A-1800	Red-Black	1800	8.01	1.0	25	7.3	3.3
FS-1A-2000	Red-Yellow	2000	8.90	1.0	25	7.7	3.5
FS-1A-2500	Red-Ivory	2500	11.12	1.0	25	8.0	3.6
FS-1A-3000	Red-White	3000	13.34	1.0	25	8.1	3.7
FS-1A-3500	Black-Red	3500	15.57	1.0	25	8.5	3.9
FS-1A-3800	Black-Blue	3800	16.90	1.0	25	8.8	4.0
FS-1A-4000	Black-Ivory	4000	17.80	1.0	25	8.8	4.0
FS-1A-4500	Black-White	4500	20.02	1.0	25	8.9	4.1
FS-1A-5000	(2)Red-Ivory	5000	22.24	1.0	25	18.9	8.6
FS-1A-6000	(2)Red-White	6000	26.69	1.0	25	19.1	8.6
FS-1A-6600	(2) Black-Black	6600	29.36	1.0	25	19.0	8.6
FS-1A-7000	(2) Black-Yellow	7000	31.14	1.0	25	19.8	9.0
FS-1A-7600	(2) Black-Blue	7600	33.81	1.0	25	20.5	9.3
FS-1A-8000	(2) Black-Ivory	8000	35.59	1.0	25	20.5	9.3
FS-1A-9000	(2) Black-White	9000	40.03	1.0	25	20.7	9.4

* for smaller isolator, see FS-SA † weights are approximate

DIMENSIONS: FS-1A

Model	D Ø	W	L	H
FS-1A	in mm	in mm	in mm	in mm
50-4500	4 1/2 114	- -	- -	6 1/2 165
5000-9000	4 1/2 114	4 1/4 108	10 1/4 259	6 1/2 165

NOTES

- Free standing, laterally stable, unboxed spring type isolator with levelling nuts to position and secure the equipment
- Minimum 50% additional travel to solid
- Minimum k_x/k_y ratio of 0.8
- All elements safe at solid loading
- All hardware zinc-plated, Grade 2 minimum

- All springs powder coated
- Operating height shown is maximum recommended height.
- When loading isolators and during isolator spring adjustment, ensure that the spring(s) is loaded centered as installed and the spring compression cup is perpendicular to the spring in order to prevent the isolator from bending over.

Project:			plan view of mount locations 		1:	6:
Customer:					2:	7:
Consultant:					3:	8:
Dwg No.:	Rev:	Drawn by:			4:	9:
V-A Project Manager:			5:	10:	QTY of sets required:	
TAG:			EQUIPMENT:			DATE:
COMMENTS:						