

tel: 416-291-7371 1-800-565-8401
fax: 416-291-8049 1-888-811-2264

web: www.vibro-acoustics.com
eml: info@vibro-acoustics.com

**2" (50 mm) Deflection FS
Free Spring Floor Mounted
Isolators**

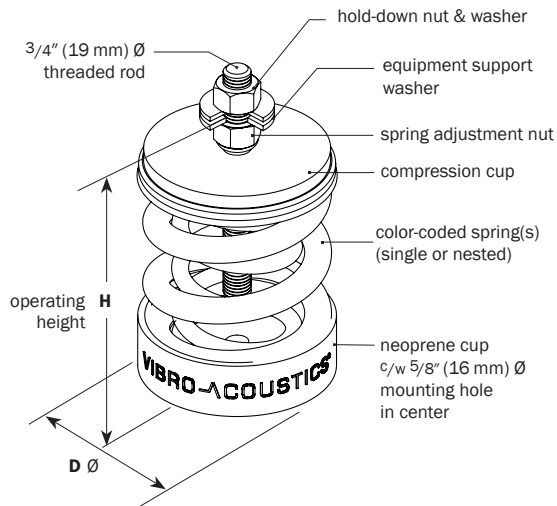
FS-2A

File No.: DS-FS-2-011
Supersedes: DS-FS-2-010

Date: 3 Feb 2015
Date: 15 May 2013

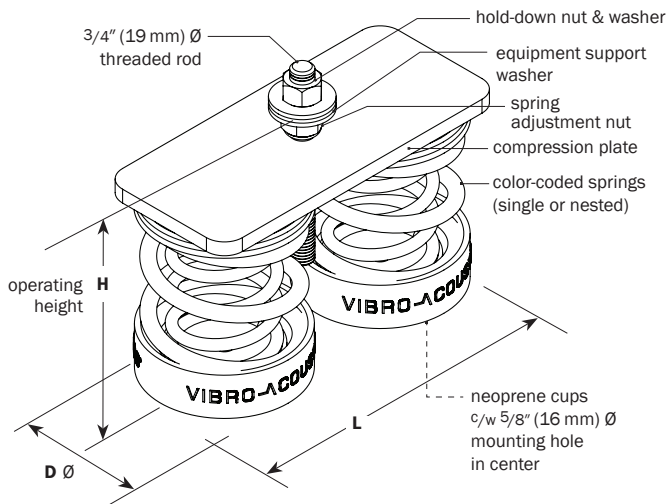
FS-2A (50-4500)

shown with cut-away



FS-2A (5200-9000)

shown with cut-away



PERFORMANCE

Model	Spring Color outer-inner	Rated Load		Deflection at rated load		Isolator Weight †	
		lb	kN	in	mm	lb	kg
FS-2A-50	Grey	50	0.22	2.0	51	4.4	2.0
FS-2A-100	Blue	100	0.44	2.0	51	4.4	2.0
FS-2A-150	Grey-White	150	0.67	2.0	51	5.1	2.3
FS-2A-200	Blue-White	200	0.89	2.0	51	5.1	2.3
FS-2A-300	Blue-Orange	300	1.33	2.0	51	5.7	2.6
FS-2A-400	Red	400	1.78	2.0	51	5.6	2.5
FS-2A-500	Red-White	500	2.22	2.0	51	6.3	2.9
FS-2A-600	Red-Orange	600	2.67	2.0	51	6.9	3.1
FS-2A-700	Red-Green	700	3.11	2.0	51	6.9	3.1
FS-2A-800	Green	800	3.56	2.0	51	6.1	2.8
FS-2A-900	Green-White	900	4.00	2.0	51	6.8	3.1
FS-2A-1000	Green-Orange	1000	4.45	2.0	51	7.4	3.4
FS-2A-1100	Green-Green	1100	4.89	2.0	51	7.4	3.4
FS-2A-1200	Green-Grey	1200	5.34	2.0	51	7.6	3.4
FS-2A-1400	Green-Blue	1400	6.23	2.0	51	8.2	3.7
FS-2A-1600	Green-Black	1600	7.12	2.0	51	7.9	3.6
FS-2A-1800	Green-Ivory	1800	8.01	2.0	51	8.3	3.8
FS-2A-2000	Black	2000	8.90	2.0	51	6.1	2.8
FS-2A-2200	Black-Orange	2200	9.97	2.0	51	7.4	3.4
FS-2A-2400	Black-Grey	2400	10.68	2.0	51	7.6	3.4
FS-2A-2600	Black-Blue	2600	11.57	2.0	51	8.2	3.7
FS-2A-2800	Black-Black	2800	12.46	2.0	51	7.9	3.6
FS-2A-3200	Black-Red	3200	14.23	2.0	51	8.6	3.9
FS-2A-3700	Blue-Grey	3700	16.45	2.0	51	8.8	4.0
FS-2A-4100	Blue-Black	4100	18.24	2.0	51	9.4	4.3
FS-2A-4500	Blue-Red	4500	20.02	2.0	51	10.0	4.5
FS-2A-5200	(2)Black-Blue	5200	23.13	2.0	51	24.6	11.2
FS-2A-6400	(2)Black-Red	6400	28.46	2.0	51	25.4	11.5
FS-2A-7400	(2)Blue-Grey	7400	32.92	2.0	51	26.0	11.8
FS-2A-8200	(2)Blue-Black	8200	36.48	2.0	51	26.8	12.2
FS-2A-9000	(2)Blue-Red	9000	40.03	2.0	51	28.0	12.7

† weights are approximate

DIMENSIONS: FS-2A

Model	D Ø	W	L	H
FS-2A	in mm	in mm	in mm	in mm
50-4500	5 1/4 135	- -	- -	7 7/8 200
5200-9000	5 1/4 135	5 127	11 1/2 292	7 7/8 200

NOTES

- Free standing, laterally stable, unboxed spring type isolator with levelling nuts to position and secure the equipment
- Minimum 50% additional travel to solid
- Minimum k_x/k_y ratio of 0.8
- All elements safe at solid loading
- All hardware zinc-plated, Grade 2 minimum
- All springs powder coated
- Operating height shown is maximum recommended height.
- When loading isolators and during isolator spring adjustment, ensure that the spring(s) is loaded centered as installed and the spring compression cup is perpendicular to the spring in order to prevent the isolator from bending over.

Project:			plan view of mount locations		1:	6:
Customer:					2:	7:
Consultant:					3:	8:
Dwg No.:	Rev:	Drawn by:			4:	9:
V-A Project Manager:					5:	10:
TAG:					QTY of sets required:	
COMMENTS:			EQUIPMENT:			
					DATE:	