

**1" (25 mm) Deflection FS  
Free Spring Floor Mounted  
Isolators**

**FS-SA**

File No.: DS-FSSA-009

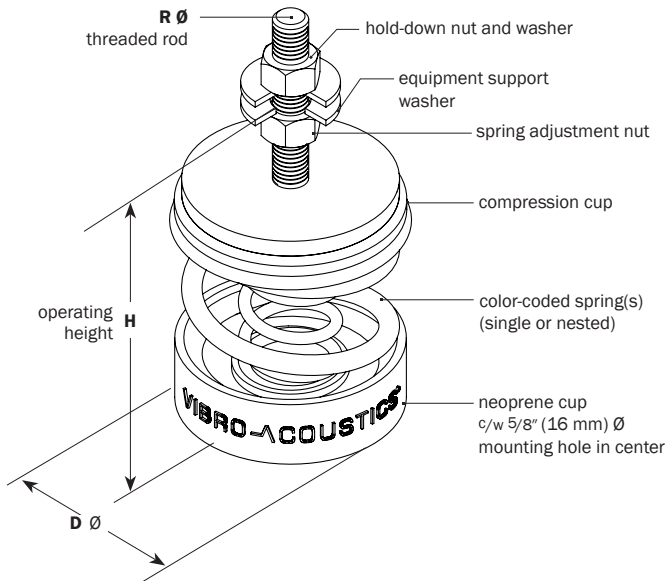
Date: 15 May 2013

Supersedes: DS-FSSA-008

Date: 31 Dec 2012

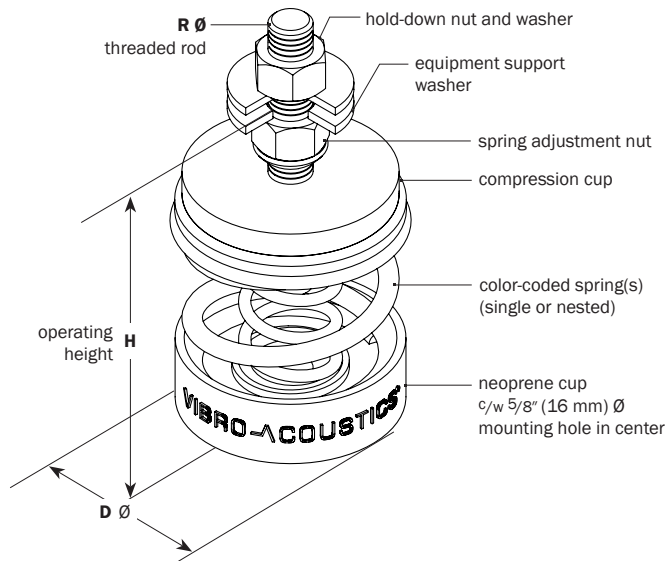
**FS-SA (30-400)**

shown with cut-away



**FS-SA (500-1000)**

shown with cut-away



**PERFORMANCE**

Model	Spring Color outer-inner	Rated Load		Deflection at rated load		Isolator Weight	
		lb	kN	in	mm	lb	kg
FS-SA-30	Grey	30	0.13	1.0	25	2.3	1.1
FS-SA-45	Grey-White	45	0.20	1.0	25	2.4	1.1
FS-SA-60	Grey-Yellow	60	0.27	1.0	25	2.4	1.1
FS-SA-75	Grey-Orange	75	0.33	1.0	25	2.5	1.1
FS-SA-100	Orange	100	0.44	1.0	25	2.5	1.1
FS-SA-115	Orange-White	115	0.51	1.0	25	2.6	1.2
FS-SA-130	Orange-Yellow	130	0.58	1.0	25	2.6	1.2
FS-SA-145	Orange-Orange	145	0.64	1.0	25	2.6	1.2
FS-SA-160	Orange-Red	160	0.71	1.0	25	2.6	1.2
FS-SA-200	White	200	0.89	1.0	25	2.5	1.2
FS-SA-215	White-White	215	0.96	1.0	25	2.6	1.2
FS-SA-230	White-Yellow	230	1.02	1.0	25	2.6	1.2
FS-SA-245	White-Orange	245	1.09	1.0	25	2.7	1.2
FS-SA-260	White-Red	260	1.16	1.0	25	2.7	1.2
FS-SA-300	White-Blue	300	1.33	1.0	25	2.7	1.2
FS-SA-350	White-Black	350	1.56	1.0	25	2.7	1.2
FS-SA-400	White-Grey	400	1.80	1.0	25	2.8	1.3
FS-SA-500	Blue	500	2.22	1.0	25	2.8	1.3
FS-SA-545	Blue-Orange	545	2.42	1.0	25	2.9	1.3
FS-SA-600	Blue-Blue	600	2.67	1.0	25	2.9	1.3
FS-SA-650	Blue-Black	650	2.89	1.0	25	3.0	1.4
FS-SA-700	Blue-Grey	700	3.11	1.0	25	3.0	1.4
FS-SA-800	Green	800	3.56	1.0	25	3.5	1.5
FS-SA-845	Green-Orange	845	3.76	1.0	25	3.6	1.6
FS-SA-900	Green-Blue	900	4.00	1.0	25	3.6	1.6
FS-SA-950	Green-Black	950	4.23	1.0	25	3.8	1.7
FS-SA-1000	Green-Grey	1000	4.44	1.0	25	4.1	1.9

For additional loads, see FS-1 † weights are approximate

**DIMENSIONS**

Model	D Ø		H		R Ø	
	in	mm	in	mm	in	mm
FS-SA 30-400	3 1/8	79	5	127	1/2	13
FS-SA 500-1000	3 1/8	79	5	127	5/8	16

**NOTES**

- Free standing, laterally stable, unboxed spring type isolator with levelling nuts to position and secure the equipment
- Minimum 50% additional travel to solid
- Minimum  $k_x/k_y$  ratio of 0.8
- All elements safe at solid loading
- All hardware zinc-plated, Grade 2 minimum
- All springs powder coated
- Operating height shown is maximum recommended height.
- When loading isolators and during isolator spring adjustment, ensure that the spring(s) is loaded centered as installed and the spring compression cup is perpendicular to the spring in order to prevent the isolator from bending over.

Project:			plan view of mount locations 				1:		6:	
Customer:							2:		7:	
Consultant:							3:		8:	
Dwg No.:							4:		9:	
Rev:			5:		10:		QTY of sets required:			
Drawn by:			EQUIPMENT:							
V-A Project Manager:			DATE:							
TAG:										
COMMENTS:										