

tel: 416-291-7371 1-800-565-8401
fax: 416-291-8049 1-888-811-2264

web: www.vibro-acoustics.com
eml: info@vibro-acoustics.com

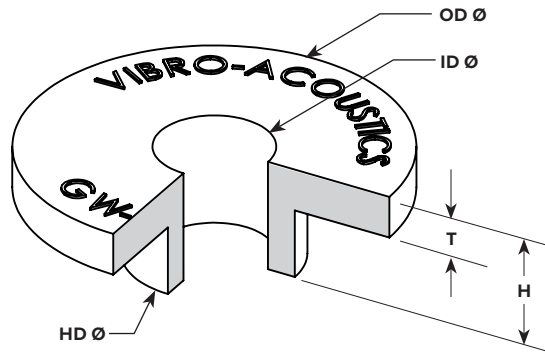
File No.: DS-GW-002

Date: 26 Mar 2020

Supersedes: DS-GW-001

Date: 29 Jul 2011

model shown with cut-away



DIMENSIONS

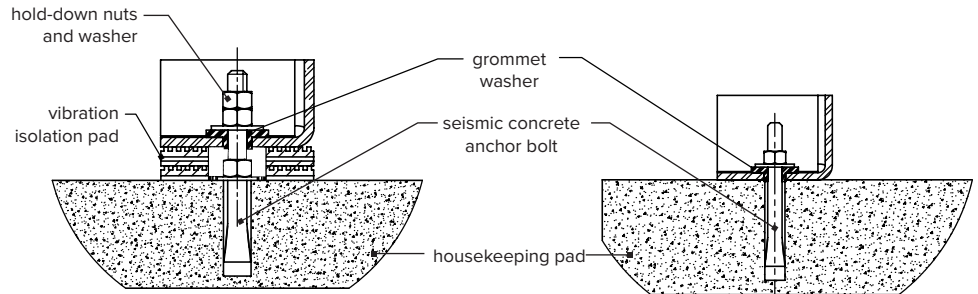
Model	ID		HD		OD		T		H	
	in	mm	in	mm	in	mm	in	mm	in	mm
GW-38	3/8	10	5/8	16	1 1/4	32	3/16	5	1/2	13
GW-50	1/2	13	3/4	19	1 5/8	41	3/16	5	1/2	13
GW-63	5/8	16	7/8	22	2	51	1/4	6	5/8	16

NOTES

- Material is high durometer neoprene
- Use with bolt/rod diameter that matches ID dimension

TYPICAL APPLICATIONS

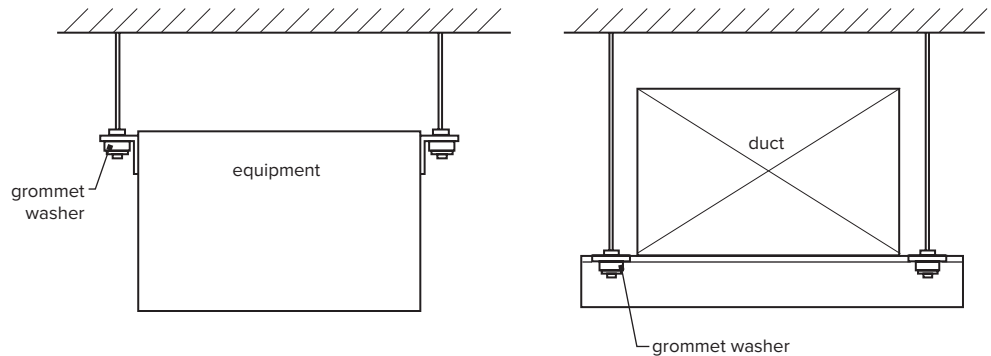
GW grommet washers are included standard with SRB seismic restraint brackets and SIPS seismic inline pump stands but can be used independently in similar situations to eliminate metal-to-metal contact between the anchor bolt and equipment supports.



Equipment Mounted on Pad Isolators

Rigidly Mounted Equipment

GW grommet washers can provide a nominal amount of noise isolation when used on suspended components.



Project:			plan view of locations		1:	6:
Customer:					2:	7:
Consultant:					3:	8:
Dwg No.:	Rev.:	Drawn by:			4:	9:
V-A Project Manager:					5:	10:
TAG:					QTY required:	
COMMENTS:			EQUIPMENT:			DATE: