

tel: 416-291-7371 1-800-565-8401
fax: 416-291-8049 1-888-811-2264

web: www.vibro-acoustics.com
eml: info@vibro-acoustics.com

HCSP Base-Mounted
Precompressed Thrust Restraints

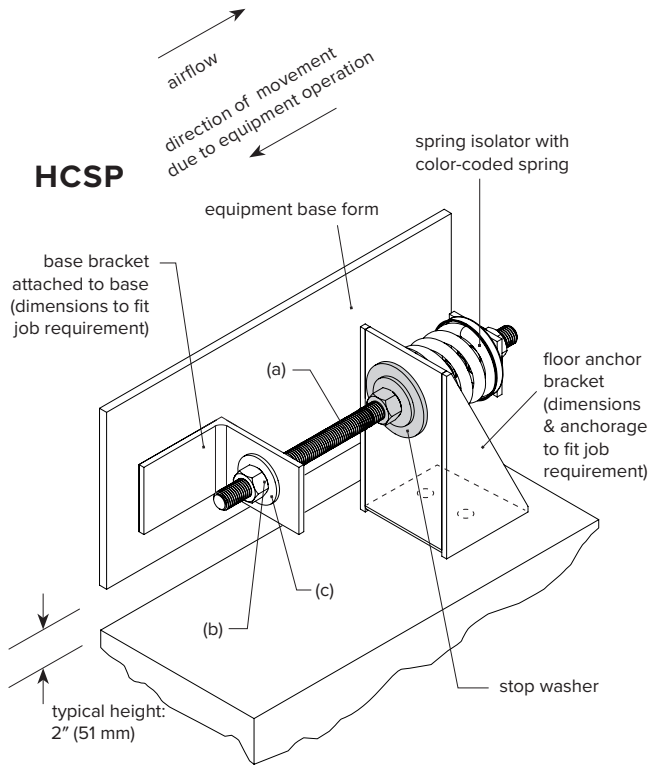
HCSP-1

File No.: DS-HCSP1-003

Date: 30 Aug 2017

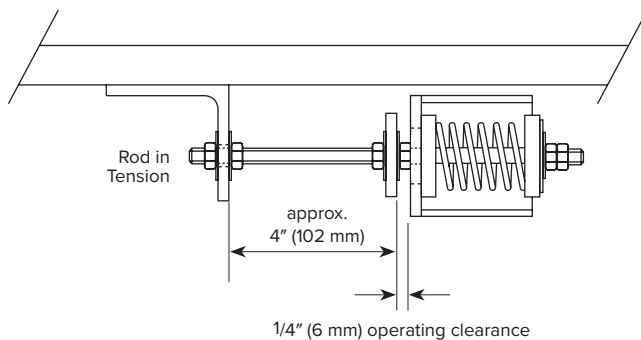
Supersedes: DS-HCSP1-002

Date: 14 June 2017



- (a) 12" (305 mm) long threaded rod
- (b) Full hex nuts (6 per isolator)
- (c) USS washer (4 per isolator)

PLAN VIEW DETAIL



PERFORMANCE FOR PAIR OF ISOLATORS

Model	Spring Color	Thrust Load Range per Pair of Isolators		Isolator Weight for pair †			
		Non-Precompressed (Min.)	Precompressed (Max.)				
		lb	kN	lb	kN	lb	kg
HCSP-1N-50	Blue	25	0.11	125	0.56	40.2	18.3
HCSP-1N-100	White	50	0.22	250	1.11	40.2	18.3
HCSP-1N-150	Orange	75	0.33	375	1.67	40.2	18.3
HCSP-1N-200	Gray	100	0.44	500	2.22	40.2	18.3
HCSP-1N-300	Black	150	0.67	750	3.34	40.4	18.4
HCSP-1N-400	Green	200	0.89	1000	4.45	40.4	18.4
HCSP-1N-500	Yellow	250	1.11	1250	5.56	40.4	18.4
HCSP-1N-600	Red	300	1.33	1500	6.67	40.4	18.4
HCSP-1N-800	Blue	400	1.80	2000	8.90	40.6	18.5
HCSP-1N-1000	Ivory	500	2.22	2500	11.12	46.0	20.9
HCSP-1N-1500	White	750	3.34	3750	16.68	46.4	21.1

† weights are approximate

ROD DIMENSION: HCSP-1N

Model	Rod Ø
HCSP-1N	in mm
50-800	1/2 13
1000-1500	5/8 16

NOTES

- Two assemblies required per installation
- Used for base mounted air-moving equipment
- All parts except attachment hardware are supplied by Vibro-Acoustics
- Minimum spring k_x/k_y ratio of 0.8
- All elements safe at solid loading
- All hardware zinc-plated, Grade 2 minimum
- All springs enamel powder-coated
- Brackets prime-painted
- Thrust load range based on min. spring deflection of 0.25", a max. spring deflection of 1.25", and angle bracket strength limits.
- Precompression of springs done on site by installing contractor as required.

Project:	Model:	QTY of sets required:		
Customer:	DWN:	CHK:	REV:	DATE:
Consultant:	TAG:	UNIT:		
V-A Project No.:	COMMENTS:			
V-A Project Manager:				