

tel: 416-291-7371  
fax: 416-291-8049

1-800-565-8401  
1-888-811-2264

web: www.vibro-acoustics.com  
eml: info@vibro-acoustics.com

## HSB Height Saving Bracket

# HSB

File No.: DS-HSB-001

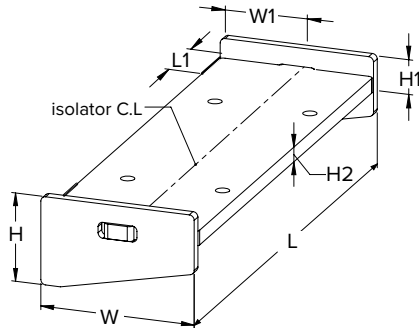
Date: 10 Jun 2021

Supersedes: New

Date: New

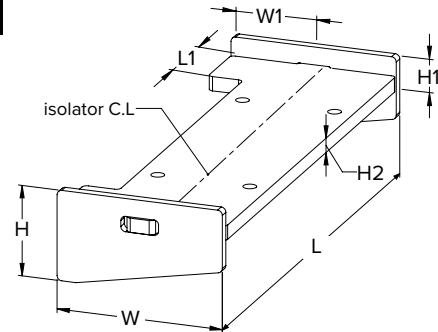
### HSB-S

Isolator attachment to steel. Hole sizes and locations to match isolator mounting holes.



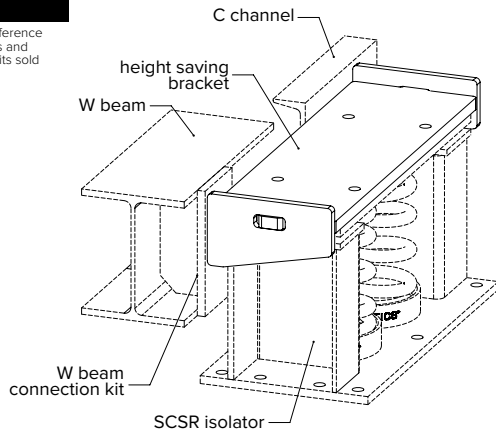
### HSB-C

Isolator attachment to concrete. Hole sizes and locations to match isolator mounting holes.

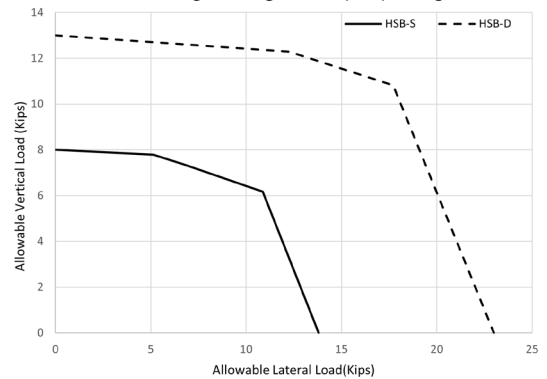


### HSB

Shown for reference only. Isolators and connection kits sold separately.



Height Saving Bracket (HSB) Strength



Height Saving Bracket isolator matches:

<b>HSB-CS-12</b> SCSR-1A/2A Single Springs for Concrete Attachment	<b>HSB-SS-12</b> SCSR-1A/2A Single Springs for Steel Attachment
<b>HSB-CS-34</b> SCSR-3A/4A Single Springs for Concrete Attachment	<b>HSB-SS-34</b> SCSR-3A/4A Single Springs for Steel Attachment
<b>HSB-CD-12</b> SCSR-1A/2A Double Springs for Concrete Attachment	<b>HSB-SD-12</b> SCSR-1A/2A Double Springs for Steel Attachment
<b>HSB-CD-34</b> SCSR-3A/4A Double Springs for Concrete Attachment	<b>HSB-SD-34</b> SCSR-3A/4A Double Springs for Steel Attachment

### NOTES

- Allowable loads is based on bolting HSB to SCSR isolator top plate.
- Hot dipped galvanized finish.
- For other sizes and configurations, contact Vibro-Acoustics.

### DIMENSIONS

Model	L		W		H		L1		W1		H1		H2		Weight	
	in	mm	in	mm	in	mm	in	mm	in	mm	in	mm	in	mm	lb	kg
HSB-CS-12	15 3/8	391	8 5/16	211	4 1/2*	114*	4*	102*	5 1/2	140	1 5/8	41	5/8	16	25	11
HSB-CS-34	18	457	8 5/8	219	4 1/2*	114*	4*	102*	5 5/16	135	1 5/8	41	5/8	16	30	13
HSB-CD-12	24	610	9	229	4 3/4†	121†	4 3/8†	111†	5 1/2	140	1 3/4	44	3/4	19	48	22
HSB-CD-34	24 7/8	632	8 3/4	222	4 3/4†	121†	4 3/8†	111†	5 5/16	135	1 3/4	44	3/4	19	48	22
HSB-SS-12	15 3/8	391	7 5/16	186	4*	102*	3 3/4*	95*	4 1/2	114	1 5/8	41	5/8	16	24	11
HSB-SS-34	18	457	7 3/4	197	4*	102*	3 3/4*	95*	4 7/16	113	1 5/8	41	5/8	16	29	13
HSB-SD-12	24	610	8	203	4 1/2†	114†	4 1/8†	105†	4 1/2	114	1 3/4	44	3/4	19	47	21
HSB-SD-34	24 7/8	632	7 7/8	200	4 1/2†	114†	4 1/8†	105†	4 7/16	113	1 3/4	44	3/4	19	47	21

\* Secure H and L1 length of HSB-S bracket to structure using 1/4" fillet weld, front and back, on either sides.

† Secure H and L1 length of HSB-D bracket to structure using 3/8" fillet weld, front and back, on either sides.

<b>Project:</b>			<b>Plan view of mount locations:</b> 				<b>1:</b>	<b>6:</b>
<b>Customer:</b>							<b>2:</b>	<b>7:</b>
<b>Consultant:</b>							<b>3:</b>	<b>8:</b>
<b>Dwg No.:</b>	<b>Rev:</b>	<b>Drawn by:</b>					<b>4:</b>	<b>9:</b>
<b>V-A Project Manager:</b>							<b>5:</b>	<b>10:</b>
<b>Tag:</b>		<b>Date:</b>	<b>QTY of sets required:</b>					
<b>Comments:</b>			<b>Equipment:</b>					