

tel: 416-291-7371 1-800-565-8401  
fax: 416-291-8049 1-888-811-2264

web: www.vibro-acoustics.com  
eml: info@vibro-acoustics.com

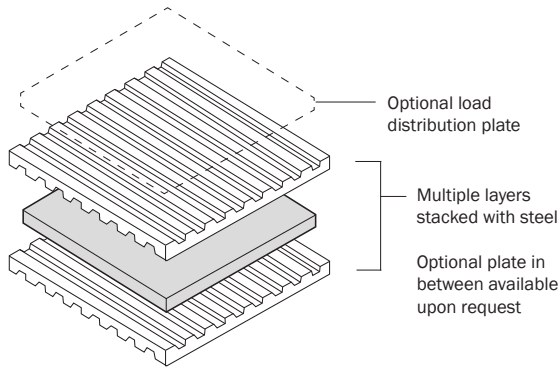
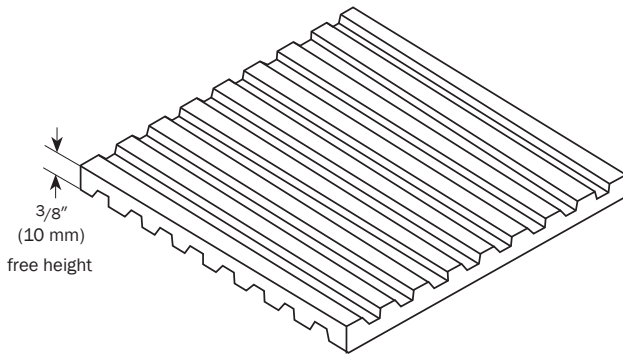
**N Vibration Isolation Pads**

**N**

File No.: DS-N-013  
Supersedes: DS-N-012

Date: 21 June 2016  
Date: 4 May 2016

**N PAD**



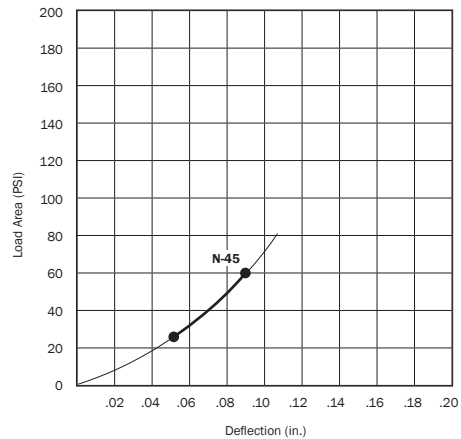
**PERFORMANCE (N)**

Model	Design Load Capacity @ .07 in (2 mm) Deflection		Standard Size other sizes available	Pad Weight †		
	lb	kN		in	mm	lb
N 22	180	0.79	2×2	50×50	0.04	0.02
N 33	400	1.80	3×3	80×80	0.10	0.04
N 44	720	3.20	4×4	100×100	0.17	0.08
N 55	1125	4.90	5×5	130×130	0.27	0.12
N 66	1620	3.20	6×6	150×150	0.38	0.17
N 69	2430	6.30	6×9	150×230	0.57	0.26
N 912	4860	4.90	9×12	230×300	1.15	0.52
N 918	7290	9.90	9×18	230×460	1.72	0.78
N 1818	14580	7.10	18×18	460×460	3.44	1.56

† weights are approximate

N Pad Type	Min. Load & Deflection	Design Load & Deflection	Max. Load & Deflection
45 DURO	25 PSI (0.11 kN) 0.05" (1 mm)	45 PSI (0.20 kN) 0.07" (2 mm)	60 PSI (0.26 kN) 0.09" (2 mm)

**LOAD RANGE**



**NOTES**

Type N: Neoprene pad type, 3/8" (10 mm) thick, ribbed on both sides.

Type NSN: Sandwich neoprene pad type, with 3/8" thick, ribbed pads on both sides of a galvanized steel plate. See Neo Plus datasheet for higher deflections.

Type SN: Optional steel load distribution plate on N pad.

<b>Project:</b>	plan view of pad locations  Unless otherwise specified, install pads equally spaced along the long sides of the equipment.	1:	6:
<b>Customer:</b>		2:	7:
<b>Consultant:</b>		3:	8:
<b>Dwg No.:</b> <b>Rev:</b> <b>Drawn by:</b>		4:	9:
<b>V-A Project Manager:</b>		5:	10:
<b>TAG:</b>	<b>EQUIPMENT:</b>	<b>QTY of sets required:</b>	
<b>DATE:</b>			
<b>COMMENTS:</b>			