

NHC Neoprene Ceiling Hanger

NHC

File No.: DS-NHC-002

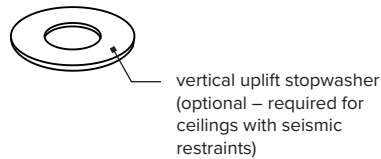
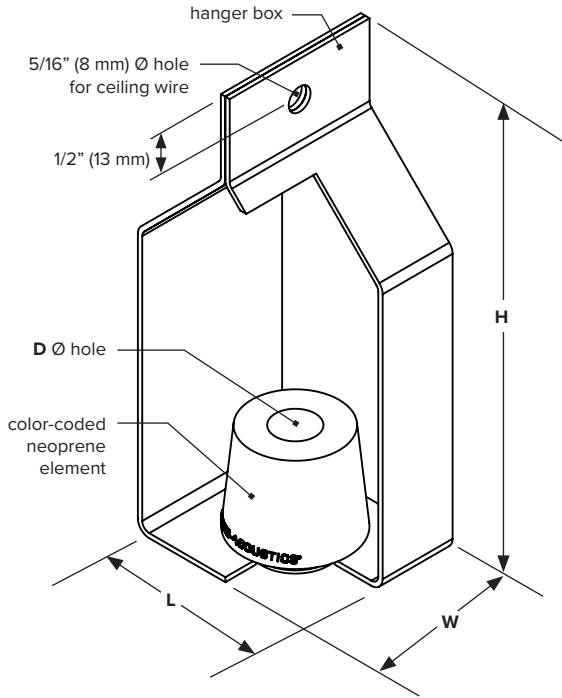
Date: 19 Sept 2019

Supersedes: DS-NHC-001

Date: 6 Aug 2019

NHC-1

shown with cutaway



PERFORMANCE

Model	Element Color	Max Load		Deflection		Weight†	
		lb	kN	in	mm	lb	kg
NHC-1-30	Orange	30	0.13	0.35	9	0.6	0.3
NHC-1-60	Blue	60	0.27	0.35	9	0.6	0.3
NHC-1-100	Green	100	0.44	0.35	9	0.6	0.3
NHC-1-150	Red	150	0.67	0.35	9	0.6	0.3

† weights are approximate

DIMENSIONS

Type	L		W		H		D Ø	
	in	mm	in	mm	in	mm	in	mm
NHC-1	2 1/2	64	2	51	6	152	1/2	6

NOTES

- Double-deflection neoprene hanger type, with integral neoprene grommet through housing bottom hole.
- Neoprene element has an integral metal washer for load distribution and fail-safe.
- Vertical uplift stopwasher must be added on neoprene hangers for ceilings requiring seismic restraint.
- Galvanized steel housing.
- For neoprene ceiling hangers complete with eyebolt hook for wire connection to ceiling, see NHCH datasheet.

<b>Project:</b>			plan view of hanger locations 		1:	6:
<b>Customer:</b>					2:	7:
<b>Consultant:</b>					3:	8:
<b>Dwg No.:</b>	<b>Rev.:</b>	<b>Drawn by:</b>			4:	9:
<b>V-A Project Manager:</b>					5:	10:
<b>TAG:</b>			<b>EQUIPMENT:</b>			
<b>COMMENTS:</b>					<b>QTY of sets required:</b>	
						<b>DATE:</b>