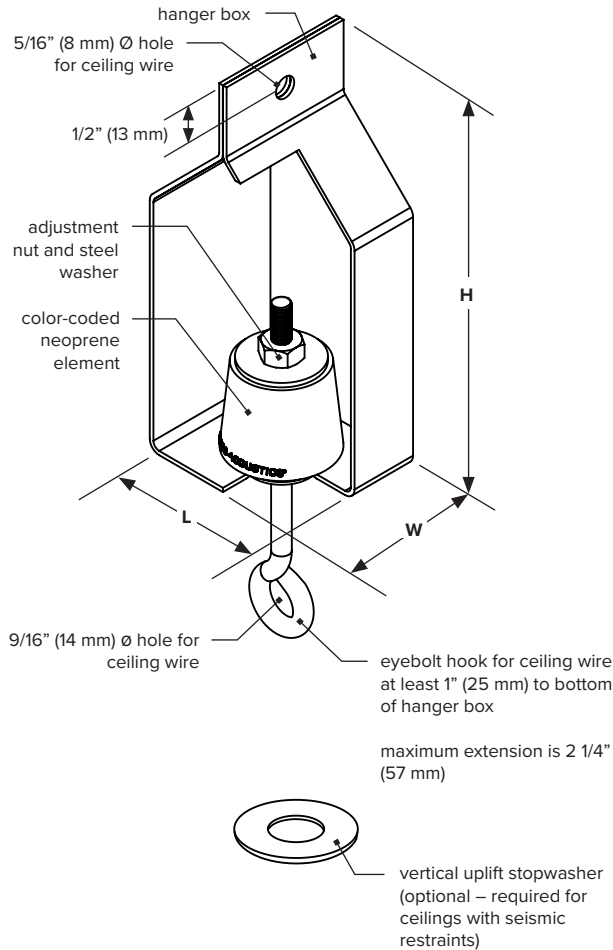


NHCH-1

shown with cutaway



PERFORMANCE

Model	Element Color	Max Load		Deflection		Weight†	
		lb	kN	in	mm	lb	kg
NHCH-1-30	Orange	30	0.13	0.35	9	0.7	0.3
NHCH-1-60	Blue	60	0.27	0.35	9	0.7	0.3
NHCH-1-100	Green	100	0.44	0.35	9	0.7	0.3
NHCH-1-150	Red	150	0.67	0.35	9	0.7	0.3

† weights are approximate

DIMENSIONS

Type	L		W		H	
	in	mm	in	mm	in	mm
NHCH-1	2 1/2	64	2	51	6	152

NOTES

- Double-deflection neoprene hanger type, with integral neoprene grommet through housing bottom hole.
- Neoprene element has an integral metal washer for load distribution and fail-safe.
- Vertical uplift stopwasher must be added on neoprene hangers for ceilings requiring seismic restraint.
- Galvanized steel housing.
- 1/4" eyebolt for lower connection.
- Zinc-plated steel eyebolt, nut and washer for lower ceiling wire connection.

Project:			plan view of hanger locations <input type="checkbox"/> <input type="checkbox"/> <input type="checkbox"/> <input type="checkbox"/> <input type="checkbox"/> <input type="checkbox"/> <input type="checkbox"/> <input type="checkbox"/> <input type="checkbox"/> <input type="checkbox"/>		1:	6:
Customer:					2:	7:
Consultant:					3:	8:
Dwg No.:	Rev.:	Drawn by:			4:	9:
V-A Project Manager:			5:	10:	QTY of sets required:	
TAG:			EQUIPMENT:			
COMMENTS:					DATE:	