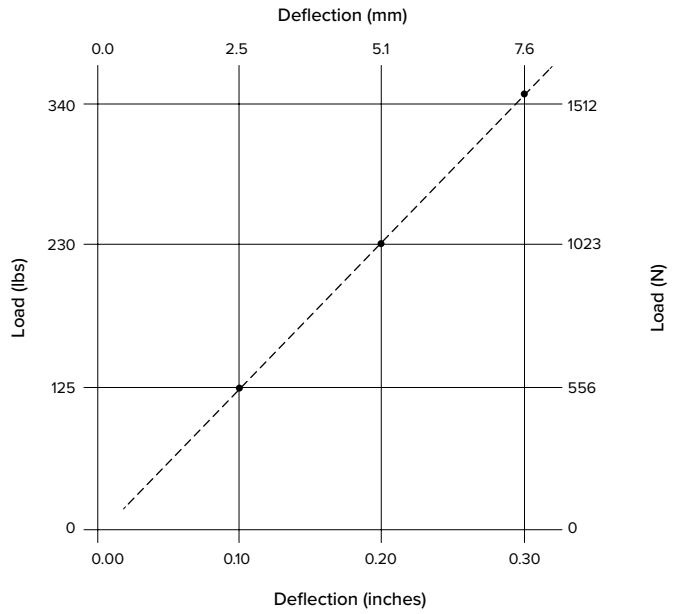
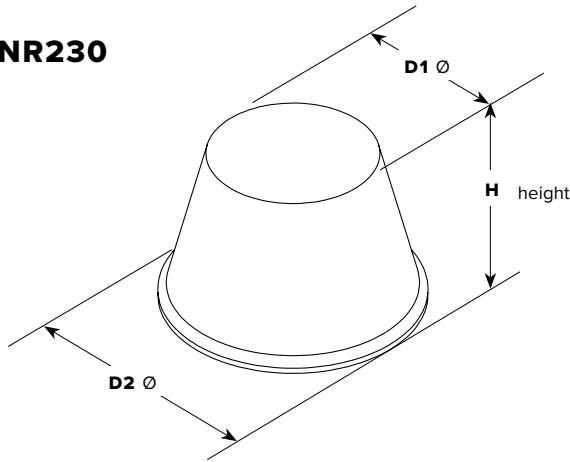


**NR230 Floating Floor
Isolation Element**

NR230

File No.: DS-NR230-001 Date: 22 Oct 2013
Supersedes: New Date: New

NR230



NOTES

- 60 durometer AASHTO neoprene isolation element
- Nominal design load = 230 lbs (1023 N)
- Nominal design deflection = 0.2 in (5 mm)

DIMENSIONS

Model	D1 Ø	D2 Ø	H
	in mm	in mm	in mm
NR230	2 51	3 76	2 51

Meets AASHTO Specifications				
ASTM Test #	Property	Units	Spec	Result
D2240	hardness	Shore "A"	60+/-5	pass
D412	tensile	psi	2500 min	pass
D412	elongation	%	350 min	pass
D573	heat age 70 hrs @100 C	change -hard.(pts) - tensile (%) - elong (%)	+15 -15 -40	pass
D395B	compression set	%	35 max	pass
D471	#3 oil swell	%	100	pass
D572	oxygen bomb 48 hrs @ 70 C, 300 psi retention - tensile % - elongation %	% %	75 75	pass
D1171	ozone resist 168 hrs @ 40C @ 50 pphm		no cracks	pass
D2137	cold temp	deg. C	-40	pass
D257	volume resistivity	Ω/cm	na	1.2" x 10" static conductive

Project:	COMMENTS:				
Customer:					
Consultant:					
Dwg No.:				Rev:	Drawn by:
V-A Project Manager:					
TAG:	DATE:				