

**1" (25 mm) Deflection PSH  
Precompressed Spring Hangers**

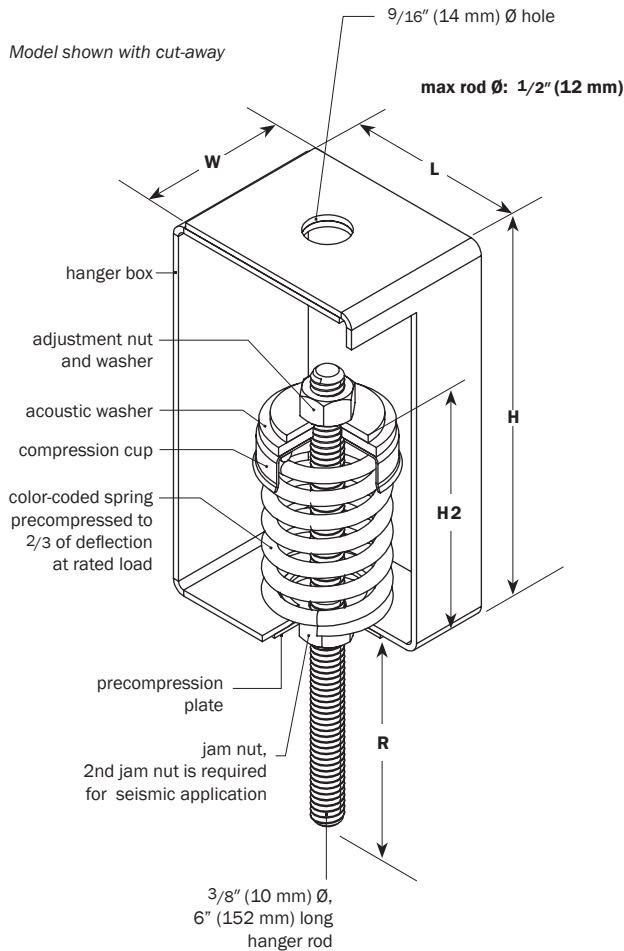
**PSH-SN**

File No.: DS-PSHSN-007

Date: 23 Jul 2012

Supersedes: DS-PSHSN-006

Date: 16 Sep 2011



**PERFORMANCE**

Model	Spring Color	Rated Load		Deflection at rated load		Isolator Weight †	
		lb	kN	in	mm	lb	kg
PSH-SN-15	White	15	0.07	1.0	25	1.6	0.7
PSH-SN-30	Yellow	30	0.13	1.0	25	1.7	0.8
PSH-SN-45	Orange	45	0.20	1.0	25	1.6	0.7
PSH-SN-60	Red	60	0.27	1.0	25	1.7	0.8
PSH-SN-100	Blue	100	0.44	1.0	25	1.8	0.8
PSH-SN-150	Black	150	0.67	1.0	25	1.8	0.8
PSH-SN-200	Grey	200	0.90	1.0	25	1.9	0.9

for additional loads, see PSH-1 † weights are approximate

**DIMENSIONS**

Model	L	W	H	H2*	R
PSH-SN	in mm	in mm	in mm	in mm	in mm
15-200	2 3/4 70	2 51	5 127	2 9/16 65	3 76

\* precompressed height

**NOTES**

- Spring hanger with steel spring and welded steel housing
- Springs are precompressed to 2/3 of deflection at rated load
- Precompression plate serves as vertical uplift stopwasher for seismically restrained equipment, duct or piping. A second jam nut must be added to lock it in place
- Coupling (by others) is required for attaching to support rod
- Minimum 50% additional travel to solid
- Springs are powder-coated, housings and cups are galvanized
- All elements safe at solid loading
- All hardware zinc-plated, Grade 2 minimum

Project:			plan view of hanger locations		1:	6:
Customer:					2:	7:
Consultant:					3:	8:
Dwg No.:	Rev:	Drawn by:			4:	9:
V-A Project Manager:					5:	10:
TAG:					QTY of sets required:	
COMMENTS:			EQUIPMENT:			
					DATE:	